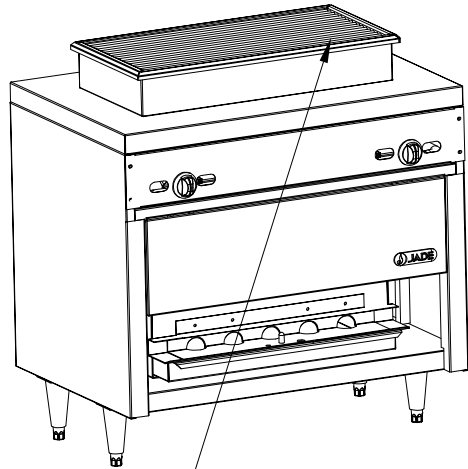


THIS DRAWING IS THE PROPERTY OF JADE RANGE LLC. NO PART OF THIS DOCUMENT MAY BE COPIED OR USED WITHOUT THE WRITTEN PERMISSION.
 THIS DRAWING IS A CONCEPTUAL LAYOUT, SUBJECT TO CHANGES AS THE FINAL MANUFACTURING PARTS ARE CREATED.

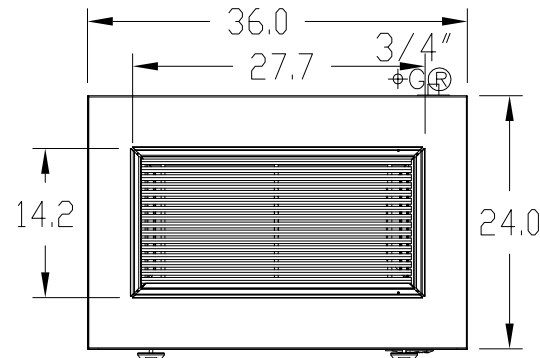
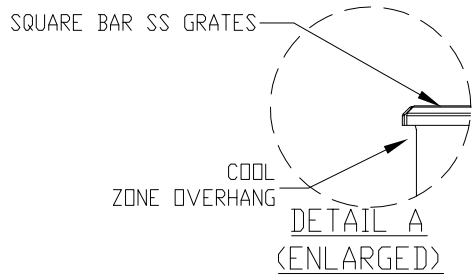
ITEM#	QTY.	MODEL	DESCRIPTION	BTU/UNIT	AMP.
A	1	ROBATA 36X24	ROBATA, UNDER FIRED INFRARED BROILER	70,000	N/A

REVISIONS					
REV	DESCRIPTION	EDN	BY	DATE	APPROVED
A	INITIAL RELEASE	XXX	SMW	07.26.11	

CHANGES TO DRAWING MAY RESULT IN CHANGES TO DELIVERY DATE & COST

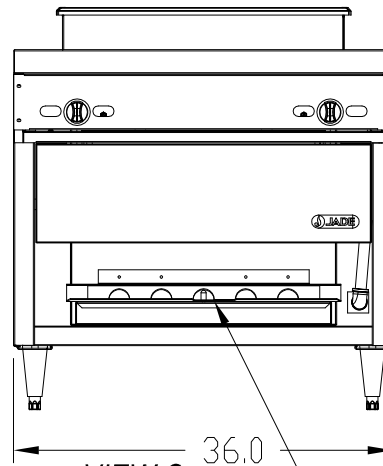


SQUARE BAR SS GRATE



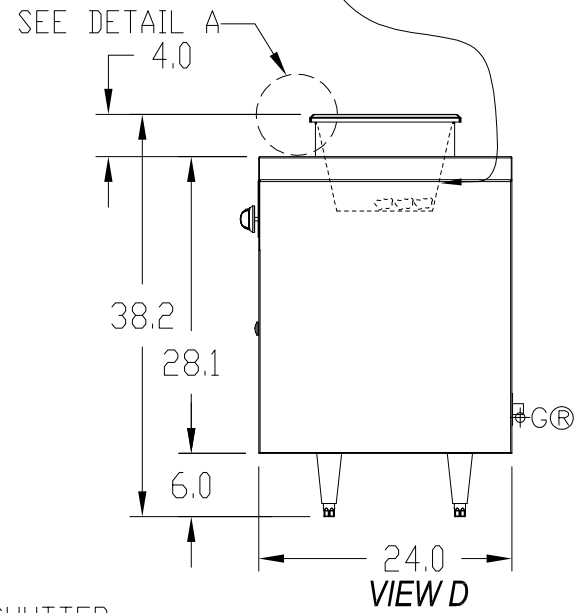
VIEW B

← B ↑ C → D ←



VIEW C

AIR SHUTTER TEMPERATURE CONTROL



VIEW D

REMOVABLE STAINLESS STEEL WOOD BRIQUETTE BASKET -FOR SMOKE FLAVOR

1. ⌀GⓄ 3/4" GAS REGULATOR & GAS CONNECTION
2. GAS SHUT-OFF VALVES AND CONNECTIONS SUPPLIED BY OTHERS.
3. ALL ELECTRICAL WORK (INSTALLATIONS AND CONNECTIONS) MUST BE PROVIDED BY OTHERS (BY CERTIFIED ELECTRICIAN)

GAS TYPE:	
ELEVATION:	
TO BE SPECIFIED BEFORE MFG.	



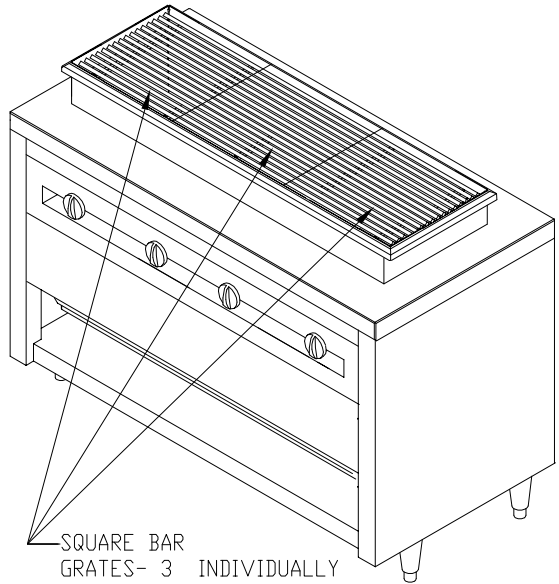
UNLESS OTHERWISE NOTED DIMENSIONS ARE IN INCHES AND TOLERANCES: .X±.125 .XX±.03 .XXX±.015. ANGLES ±1°				DESC ROBATA 36X24	
MATERIAL	DRAWN	SMW	07.26.11	FDR	for
FINISH	CHECKED			SIZE B	DWG NO 11185A
	APPROVED			SCALE 0.037	SHEET 1 OF 1

THIS DRAWING IS THE PROPERTY OF JADE PRODUCTS CO. NO PART OF THIS DOCUMENT MAY BE COPIED OR USED WITHOUT THE WRITTEN PERMISSION OF JADE PRODUCTS CO.

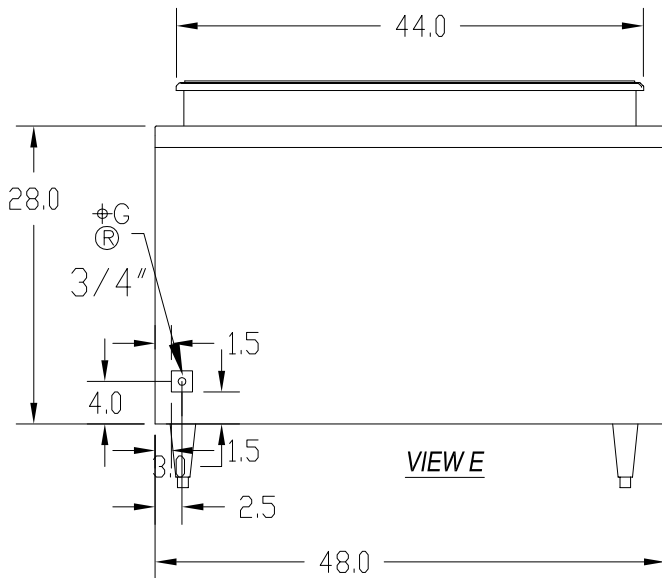
GAS TYPE:	
ELEVATION:	
TO BE SPECIFIED BEFORE MFG.	

REVISIONS					
REV	DESCRIPTION	ECN	BY	DATE	APPROVED
A	INITIAL RELEASE	XX	SMW	04.15.08	

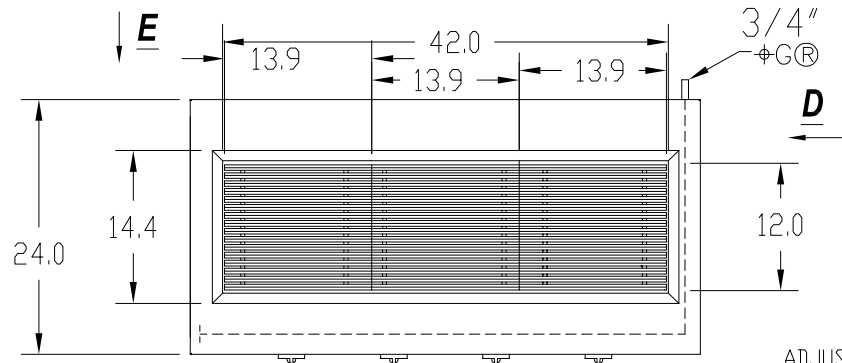
QTY.	MODEL	DESCRIPTION	BTU/UNIT	AMP.
1	ROBATA 48	ROBATA, INFRARED BROILER	115,000	N/A



SQUARE BAR GRATES- 3 INDIVIDUALLY REMOVABLE SECTIONS



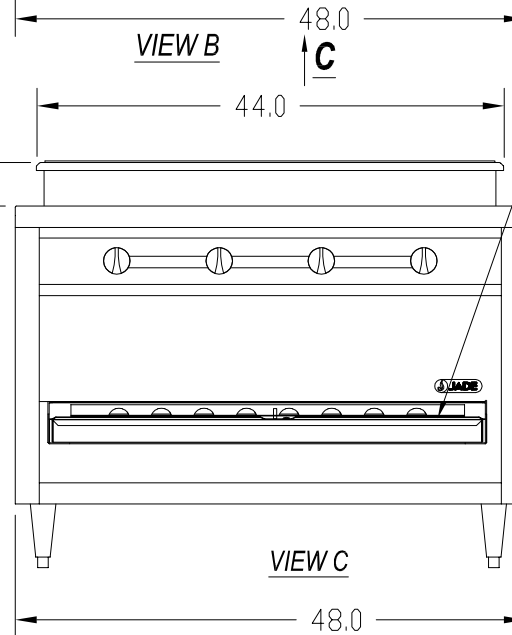
VIEW E



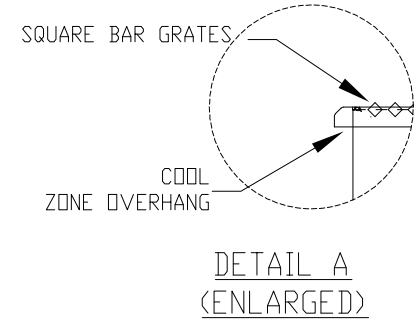
VIEW B

VIEW B

VIEW C

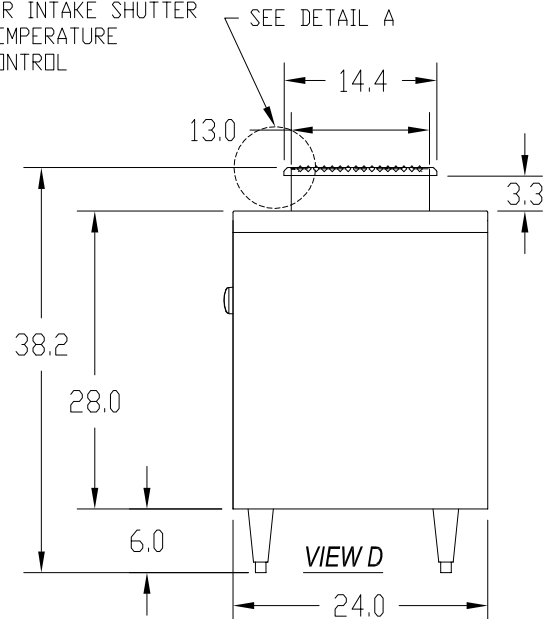


VIEW C



DETAIL A (ENLARGED)


ADJUSTABLE AIR INTAKE SHUTTER TEMPERATURE CONTROL



VIEW D

NOTES:

1. ϕG GAS CONNECTION
 2. $\text{\textcircled{R}}$ REGULATOR
- GAS SHUT-OFF VALVES AND CONNECTIONS SUPPLIED BY OTHERS

 Jade Products Company 2650 Orbiter St Brea, CA 92821	UNLESS OTHERWISE NOTED DIMENSIONS ARE IN INCHES AND TOLERANCES: .XX±.03 .XXX±.015. ANGLES ±1°			DESC ROBATA 48	
	MATERIAL	DRAWN	SMW	04.15.08	FOR for
	FINISH	CHECKED			SIZE DWG NO
		APPROVED			A 08062A
				SCALE 0.060	SHEET 1 OF 1

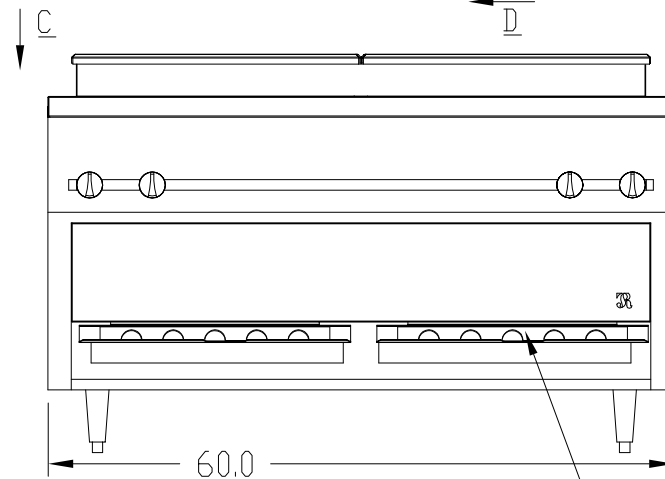
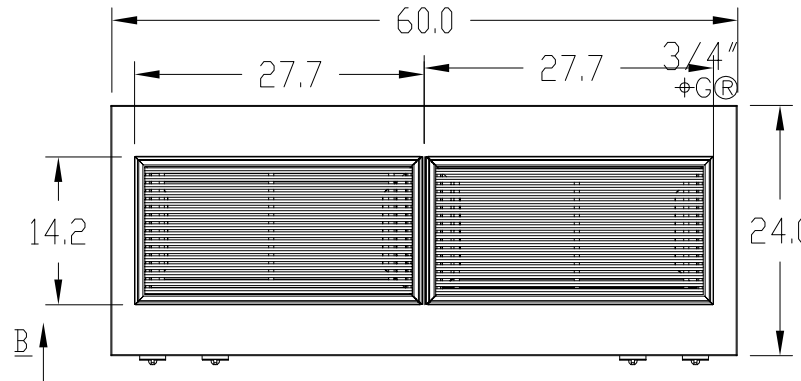
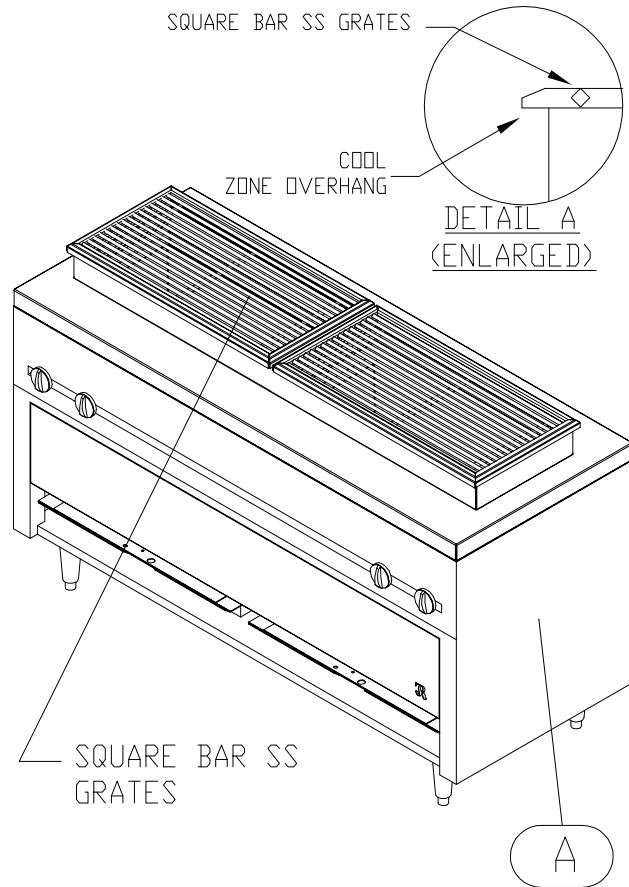
THIS DRAWING IS THE PROPERTY OF JADE RANGE LLC NO PART OF THIS DOCUMENT MAY BE COPIED OR USED WITHOUT THE WRITTEN PERMISSION.

THIS DRAWING IS A CONCEPTUAL LAYOUT, SUBJECT TO CHANGES AS THE FINAL MANUFACTURING PARTS ARE CREATED.

ITEM#	QTY.	MODEL	DESCRIPTION	BTU/UNIT	AMP.
A	1	ROBATA 60X24	ROBATA, UNDER FIRED INFRARED BROILER	140,000	N/A

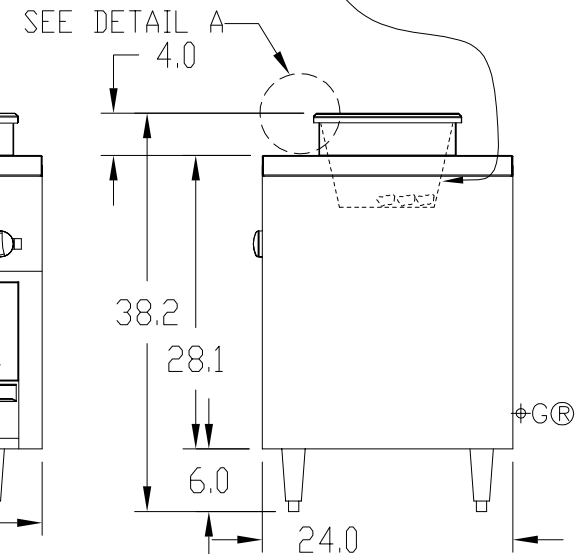
REVISIONS					
REV	DESCRIPTION	ECN	BY	DATE	APPROVED
A	INITIAL RELEASE	XXX	SMW	07.05.11	

CHANGES TO DRAWING MAY RESULT IN CHANGES TO DELIVERY DATE & COST



VIEW C

VIEW B



SEE DETAIL A

AIR SHUTTER TEMPERATURE CONTROL

VIEW D

**REMOVABLE
STAINLESS STEEL
WOOD BRIQUETTE
BASKET
-FOR SMOKE
FLAVOR**

1. Ⓢ 3/4" GAS REGULATOR & GAS CONNECTION
2. GAS SHUT-OFF VALVES AND CONNECTIONS SUPPLIED BY OTHERS.
3. ALL ELECTRICAL WORK (INSTALLATIONS AND CONNECTIONS) MUST BE PROVIDED BY OTHERS (BY CERTIFIED ELECTRICIAN)

GAS TYPE:	
ELEVATION:	
TO BE SPECIFIED BEFORE MFG.	



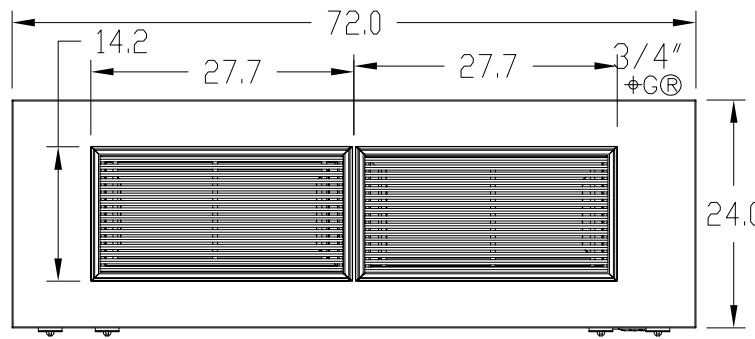
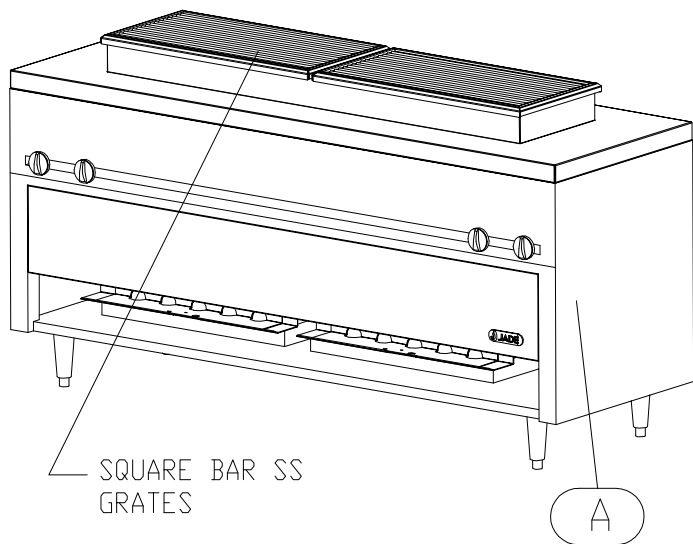
UNLESS OTHERWISE NOTED DIMENSIONS ARE IN INCHES AND TOLERANCES: .XX±.125 .XX±.03 .XXX±.015, ANGLES ±1°				DESC		ROBATA 60X24	
MATERIAL	DRAWN	SMW	07.05.11	FOR	for		
FINISH	CHECKED			SIZE	DWG NO		11024A
	APPROVED			B			
				SCALE	0.037	SHEET	1 OF 1

THIS DRAWING IS THE PROPERTY OF JADE RANGE LLC. NO PART OF THIS DOCUMENT MAY BE COPIED OR USED WITHOUT THE WRITTEN PERMISSION.

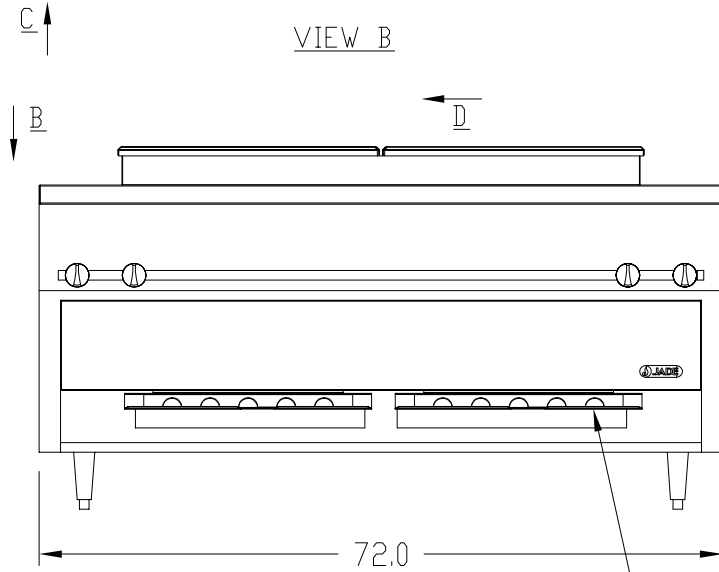
THIS DRAWING IS A CONCEPTUAL LAYOUT, SUBJECT TO CHANGES AS THE FINAL MANUFACTURING PARTS ARE CREATED.

ITEM#	QTY.	MODEL	DESCRIPTION	BTU/UNIT	AMP.
A	1	ROBATA 72X24	ROBATA, UNDER FIRED INFRARED BROILER	140,000	N/A

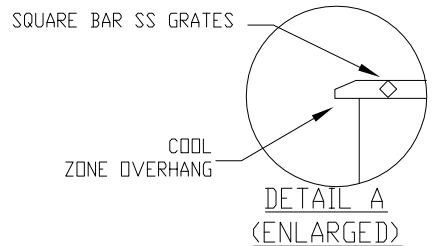
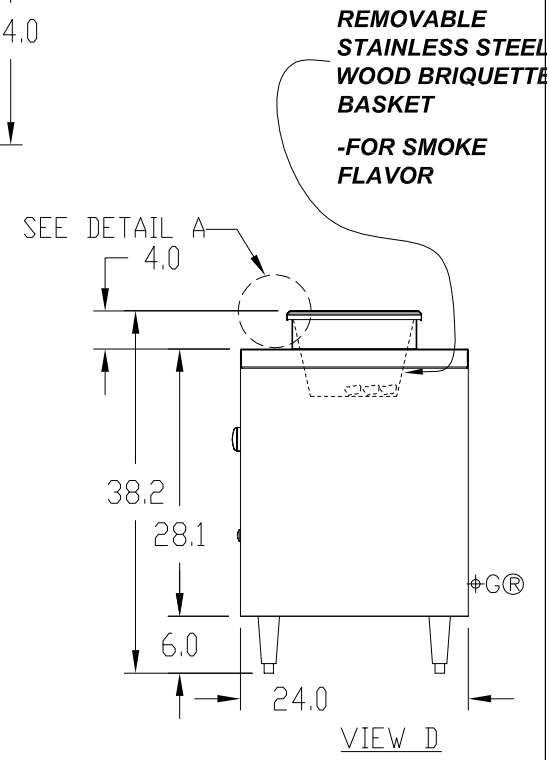
REVISIONS					
REV	DESCRIPTION	ECN	BY	DATE	APPROVED
A	INITIAL RELEASE	XXX	SMW	07.08.11	
CHANGES TO DRAWING MAY RESULT IN CHANGES TO DELIVERY DATE & COST					



VIEW B



VIEW C



1. ϕ G \otimes 3/4" GAS REGULATOR & GAS CONNECTION
2. GAS SHUT-OFF VALVES AND CONNECTIONS SUPPLIED BY OTHERS.
3. ALL ELECTRICAL WORK (INSTALLATIONS AND CONNECTIONS) MUST BE PROVIDED BY OTHERS (BY CERTIFIED ELECTRICIAN)

GAS TYPE:	
ELEVATION:	
TO BE SPECIFIED BEFORE MFG.	



UNLESS OTHERWISE NOTED DIMENSIONS ARE IN INCHES AND TOLERANCES: .X \pm .125 .XX \pm .03 .XXX \pm .015. ANGLES \pm 1°				DESC	ROBATA 72X24
MATERIAL	DRAWN	SMW	07.07.11	FOR	for
FINISH	CHECKED			SIZE	DWG NO
	APPROVED			B	11183A
				SCALE	0.037
					SHEET 1 OF 1