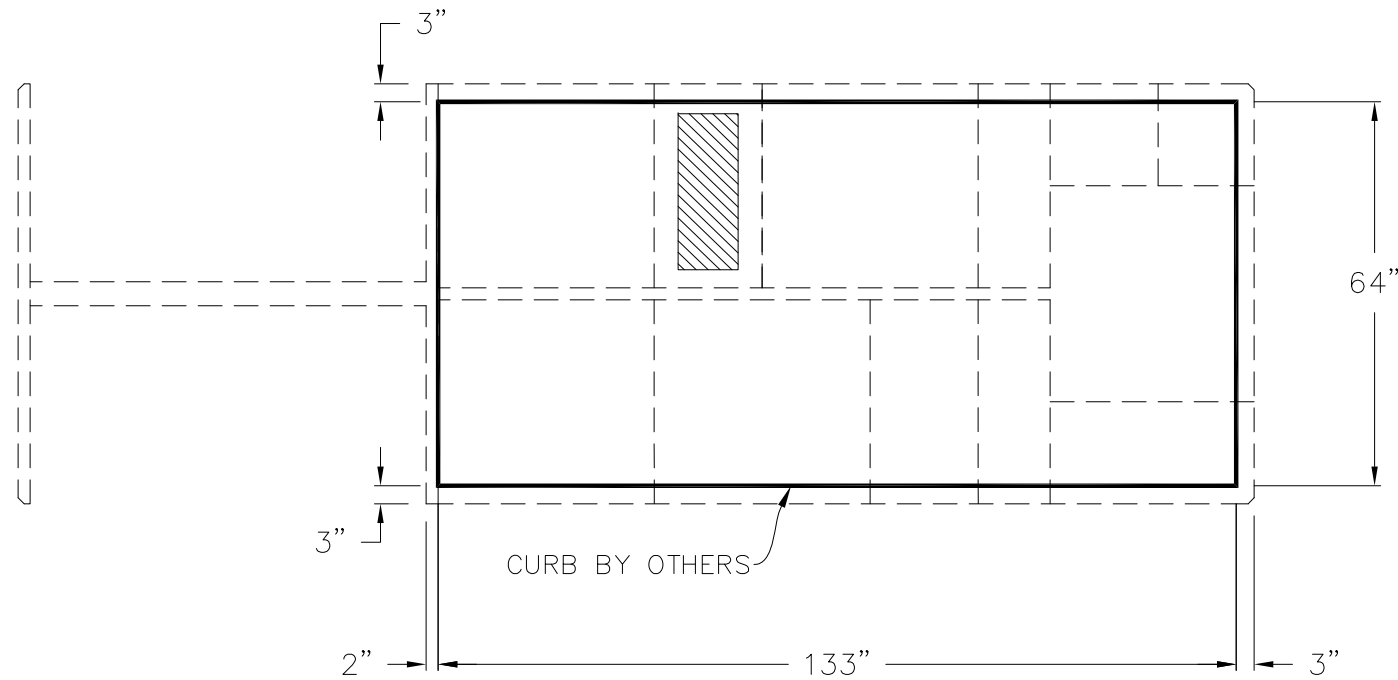


THIS DRAWING IS THE PROPERTY OF JADE RANGE LLC NO PART OF THIS DOCUMENT MAY BE COPIED OR USED WITHOUT THE WRITTEN PERMISSION.

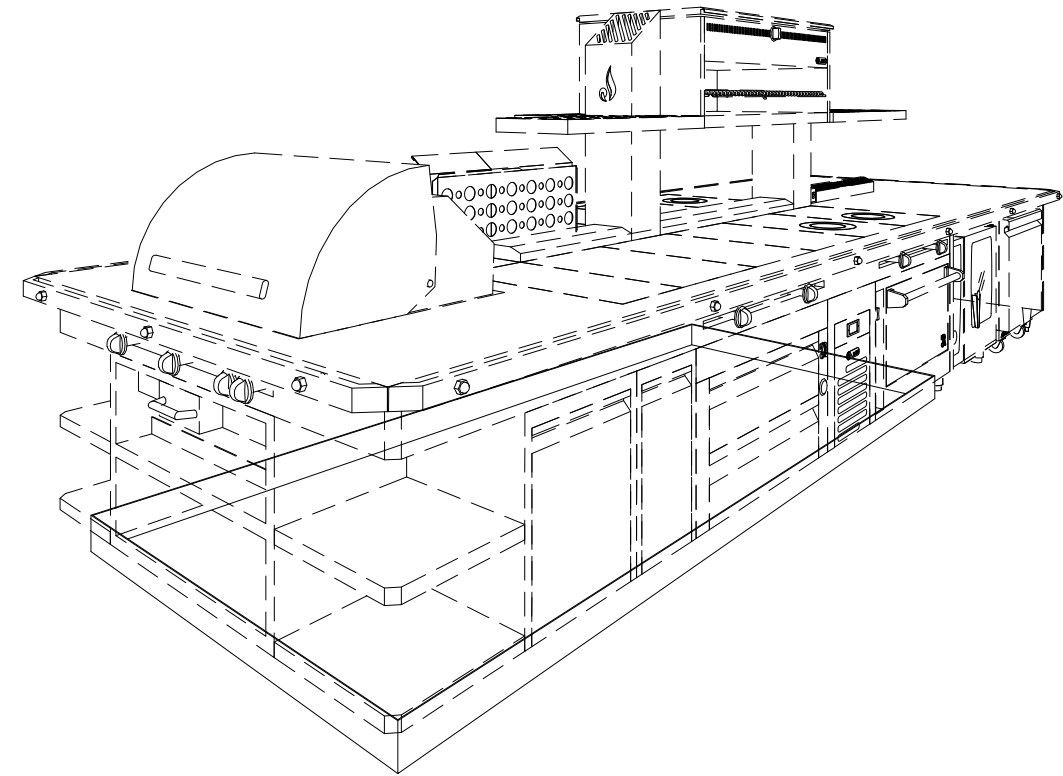
THIS DRAWING IS A CONCEPTUAL LAYOUT, SUBJECT TO CHANGES AS THE FINAL MANUFACTURING PARTS ARE CREATED.

REVISIONS					
REV	DESCRIPTION	ECN	BY	DATE	APPROVED
A	INITIAL DRAWING PER REQUEST	XXX	ECS	08.11.15	
B	REVISED DRAWING PER REQUEST	XXX	ECS	11.12.15	
C	REVISED DRAWING PER REQUEST	XXX	ECS	11.19.15	
D	REVISED DRAWING PER REQUEST	XXX	ECS	12.18.15	
E	REVISED DRAWING PER REQUEST	XXX	ECS	01.18.16	
F	REVISED DRAWING PER REQUEST	XXX	ECS	02.03.16	

CHANGES TO DRAWING MAY RESULT IN CHANGES TO DELIVERY DATE & COST



CURB BASE DETAIL



CURB BASE DETAIL ISOMETRIC VIEW

MIN 6" CLEARENCE ABOVE FLUE PEDESTALS

GAS TYPE: _____
 ELEVATION: _____
 TO BE SPECIFIED BEFORE MFG.

- 1. \oplus G R REGULATOR AND GAS CONNECTION
- E ELECTRICAL CONNECTION
- D DRAIN
- R REFRIGERATION
- W WATER
- 2. GAS SHUT-OFF VALVES AND CONNECTIONS SUPPLIED BY OTHERS.
- 3. ALL ELECTRICAL WORK (INSTALLATIONS AND CONNECTIONS) MUST BE PROVIDED BY OTHERS (BY CERTIFIED ELECTRICIAN)

JADETM
 JADE RANGE LLC
 2650 ORBITER ST.
 BREA, CA 92821
-A MIDDLEBY CO.

UNLESS OTHERWISE NOTED DIMENSIONS ARE IN INCHES AND TOLERANCES: .X±.125 .XX±.03 .XXX±.015. ANGLES ±1°

MATERIAL	DRAWN	ECS	08.12.15
FINISH	CHECKED		
	APPROVED		

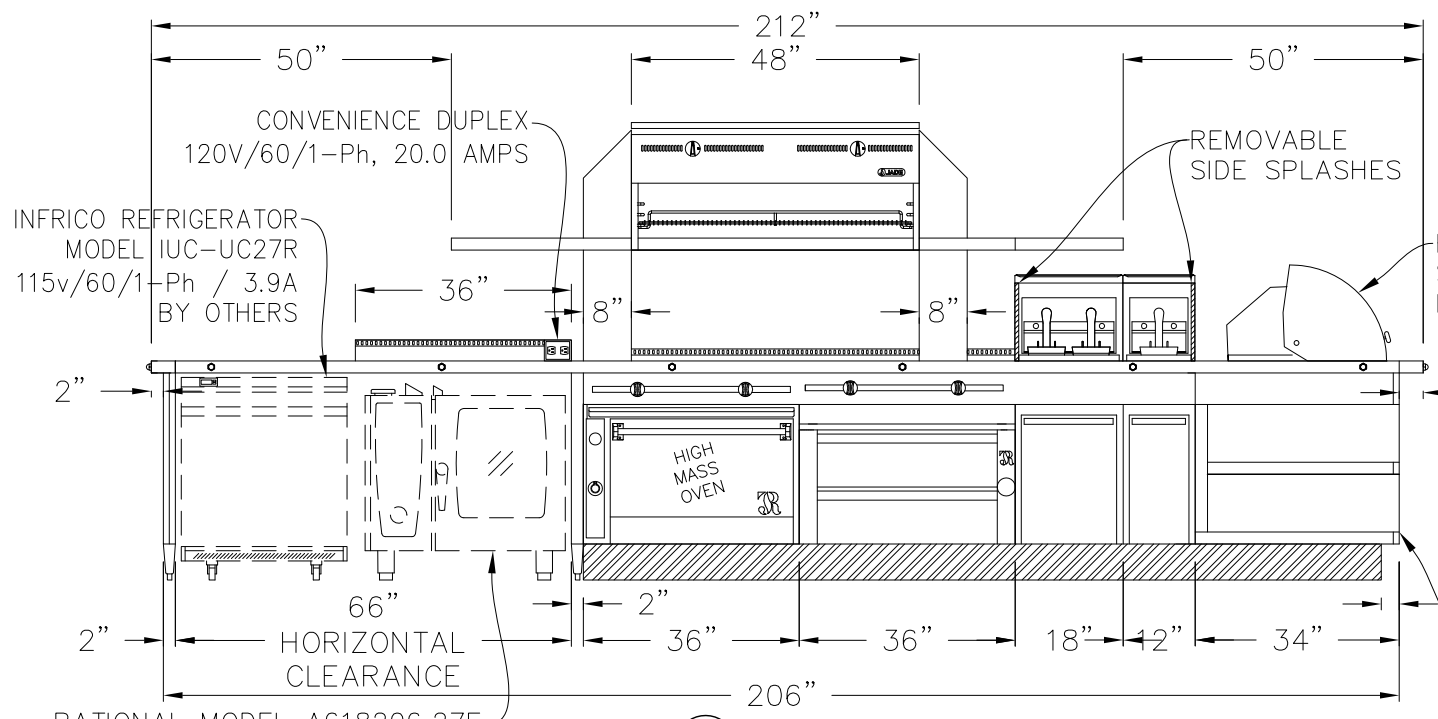
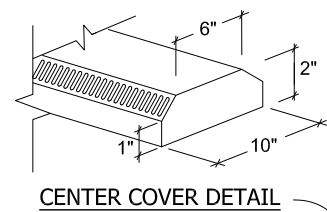
DESC	The Beacon		
FOR	SIZE	DWG NO	
	B	15276F	
SCALE	3/8" = 1'-0"		SHEET 2 OF 4

THIS DRAWING IS THE PROPERTY OF JADE RANGE LLC NO PART OF THIS DOCUMENT MAY BE COPIED OR USED WITHOUT THE WRITTEN PERMISSION.

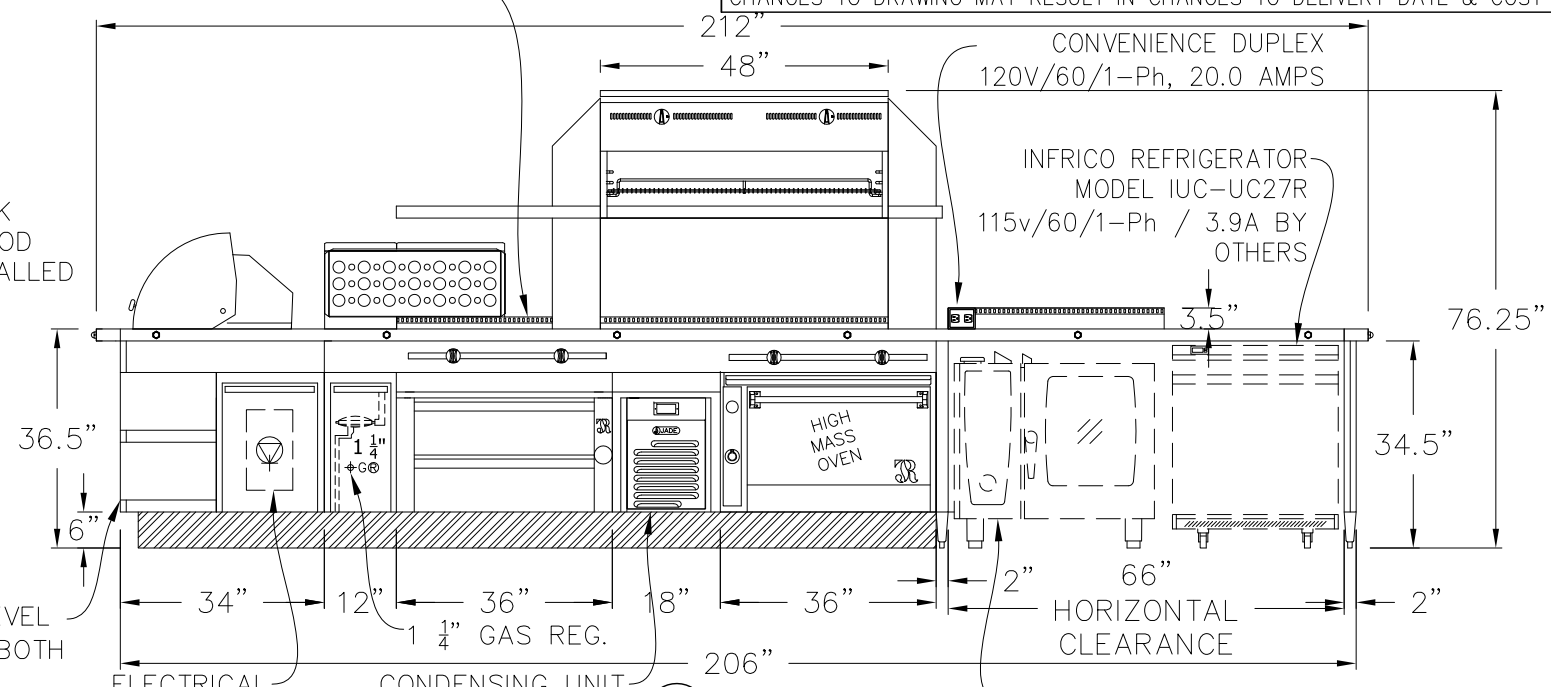
THIS DRAWING IS A CONCEPTUAL LAYOUT, SUBJECT TO CHANGES AS THE FINAL MANUFACTURING PARTS ARE CREATED.

REVISIONS					
REV	DESCRIPTION	ECN	BY	DATE	APPROVED
A	INITIAL DRAWING PER REQUEST	XXX	ECS	08.11.15	
B	REVISED DRAWING PER REQUEST	XXX	ECS	11.12.15	
C	REVISED DRAWING PER REQUEST	XXX	ECS	11.19.15	
D	REVISED DRAWING PER REQUEST	XXX	ECS	12.18.15	
E	REVISED DRAWING PER REQUEST	XXX	ECS	01.18.16	
F	REVISED DRAWING PER REQUEST	XXX	ECS	02.03.16	

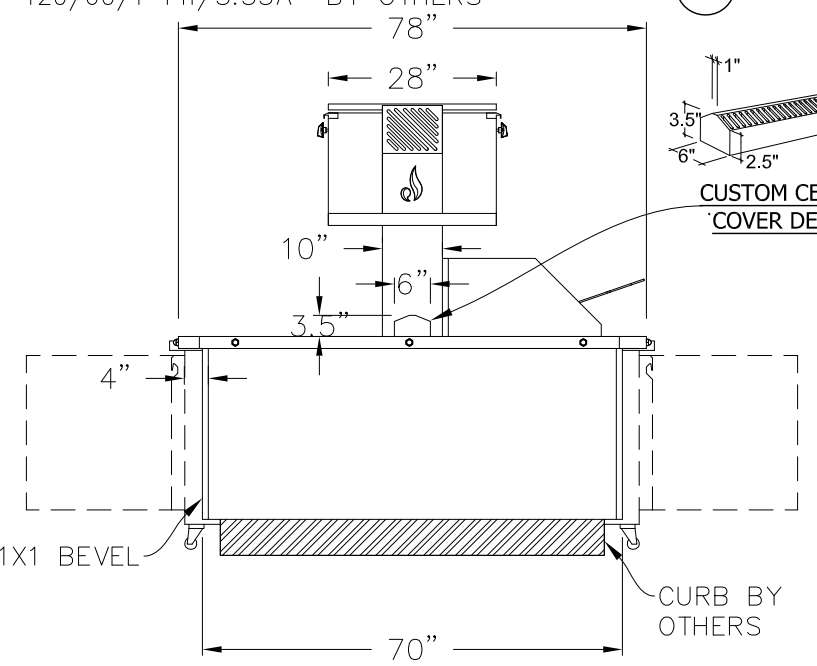
CHANGES TO DRAWING MAY RESULT IN CHANGES TO DELIVERY DATE & COST



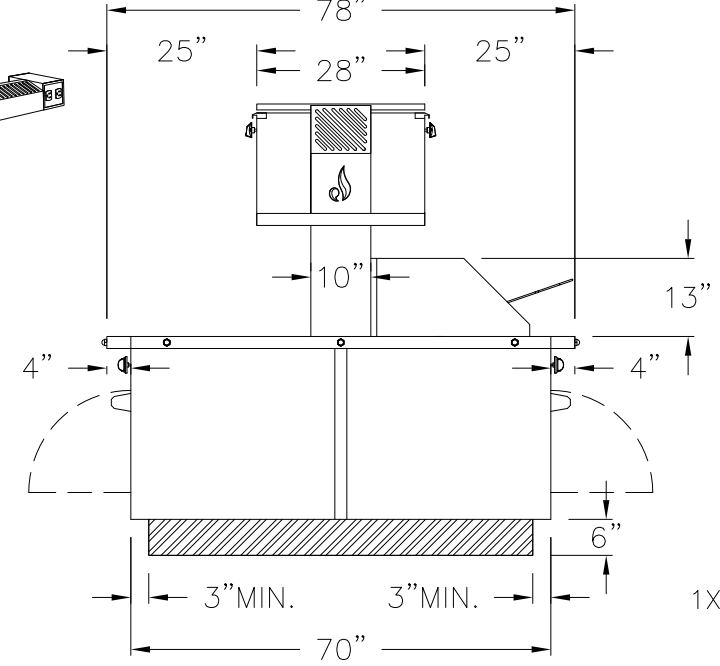
A ELEVATION



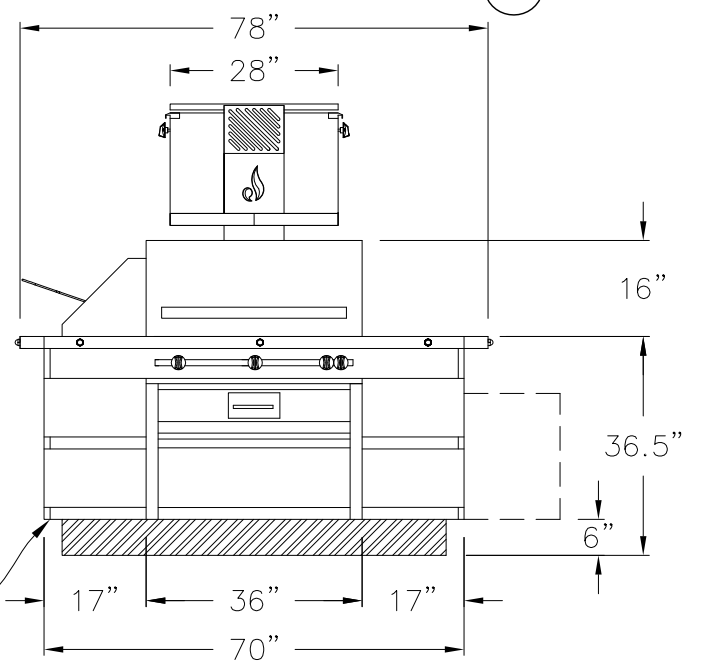
B ELEVATION



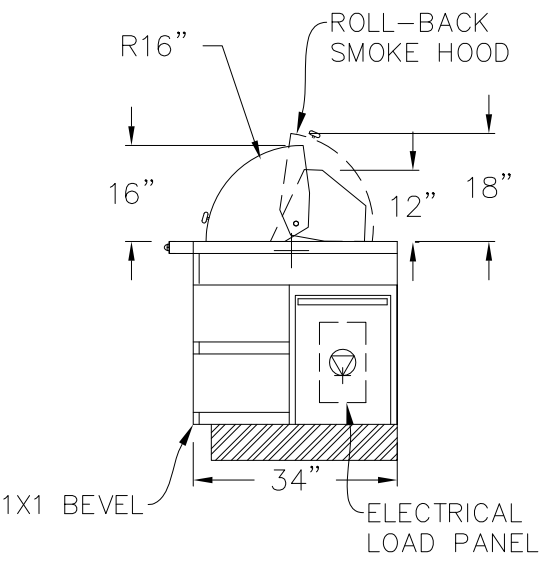
C ELEVATION



VIEW A-A



D ELEVATION



HOOD DETAIL

MIN 6" CLEARANCE ABOVE FLUE PEDESTALS

GAS TYPE:
ELEVATION:
TO BE SPECIFIED BEFORE MFG.

- REGULATOR AND GAS CONNECTION
 - ELECTRICAL CONNECTION
 - DRAIN
 - REFRIGERATION
 - WATER
- GAS SHUT-OFF VALVES AND CONNECTIONS SUPPLIED BY OTHERS.
- ALL ELECTRICAL WORK (INSTALLATIONS AND CONNECTIONS) MUST BE PROVIDED BY OTHERS (BY CERTIFIED ELECTRICIAN)

JADE RANGE LLC
2650 ORBITER ST.
BREA, CA 92821
-A MIDDLEBY CO.

UNLESS OTHERWISE NOTED DIMENSIONS ARE IN INCHES AND TOLERANCES: .X±.125 .XX±.03 .XXX±.015. ANGLES ±1°

MATERIAL	DRAWN	ECS	08.12.15
FINISH	CHECKED		
	APPROVED		

DESC
The Beacon

FOR
SIZE **B** DWG NO **15276F**

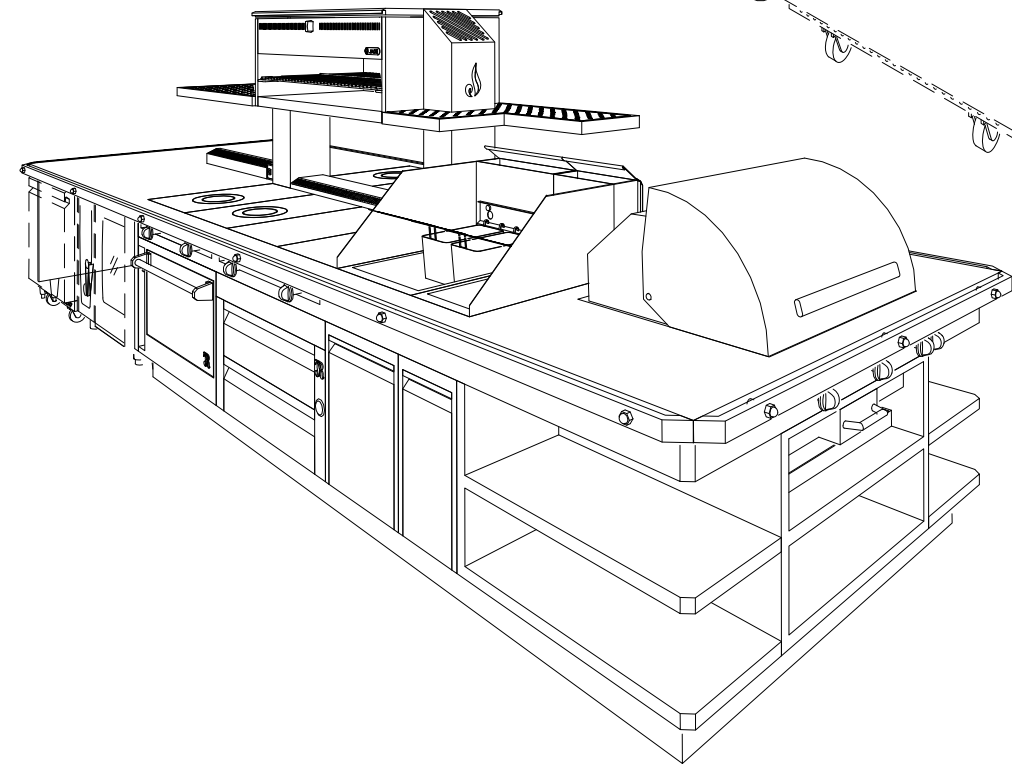
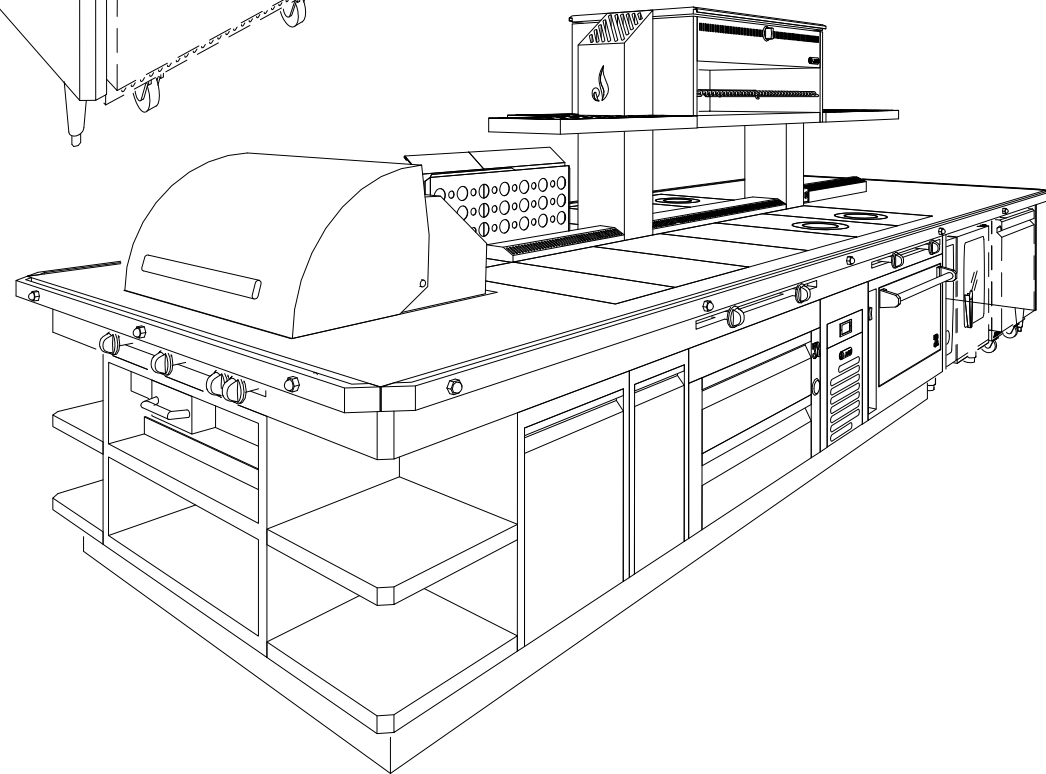
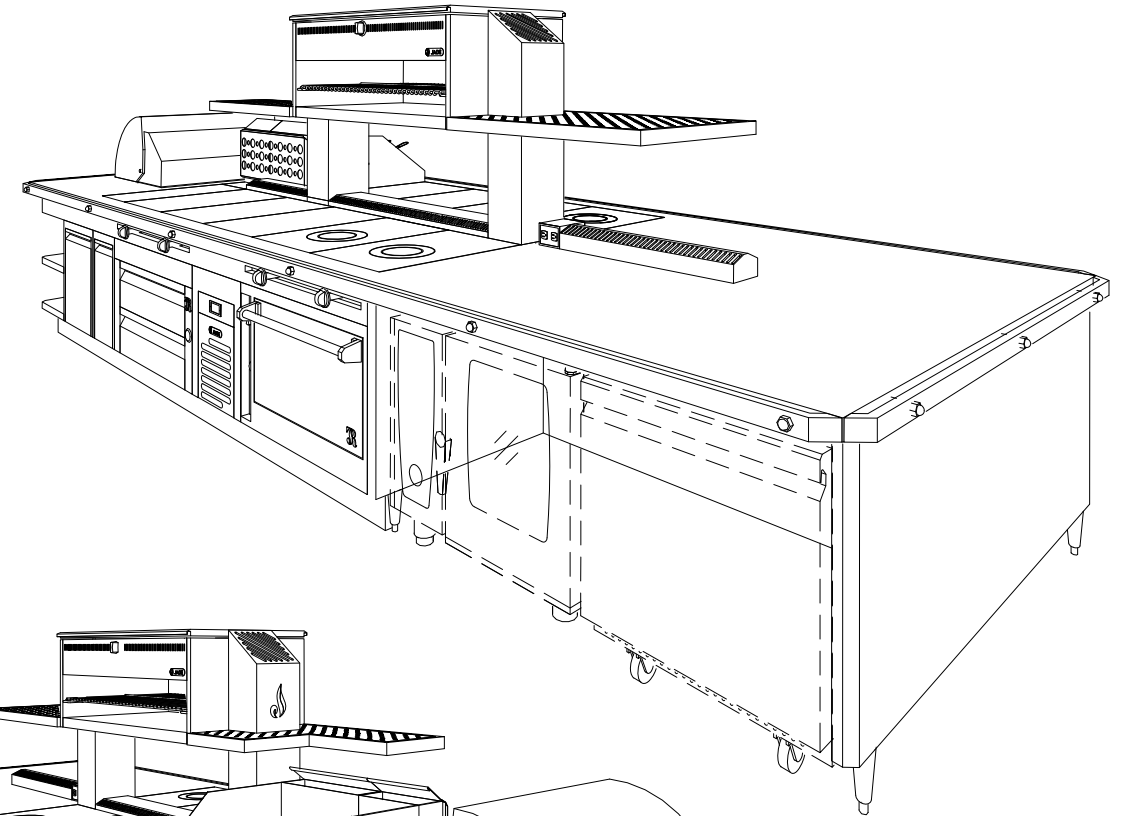
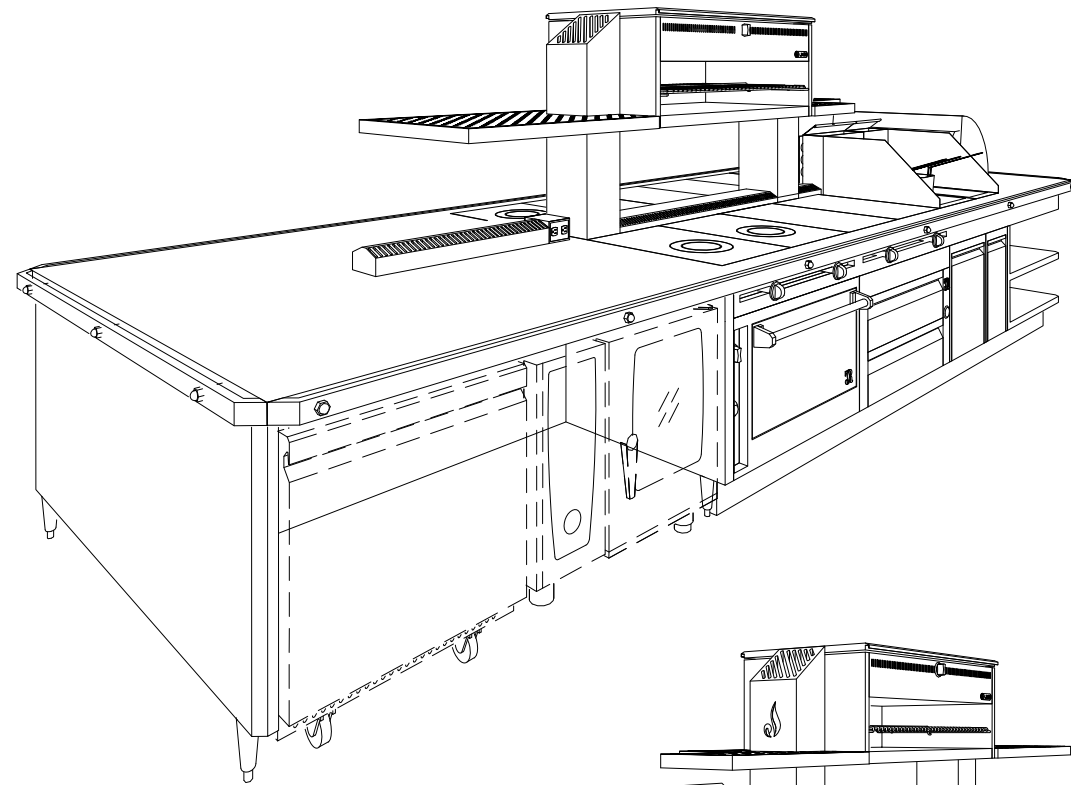
SCALE 3/8" = 1'-0" SHEET 3 OF 4

THIS DRAWING IS THE PROPERTY OF JADE RANGE LLC NO PART OF THIS DOCUMENT MAY BE COPIED OR USED WITHOUT THE WRITTEN PERMISSION.

THIS DRAWING IS A CONCEPTUAL LAYOUT, SUBJECT TO CHANGES AS THE FINAL MANUFACTURING PARTS ARE CREATED.

REVISIONS					
REV	DESCRIPTION	ECN	BY	DATE	APPROVED
A	INITIAL DRAWING PER REQUEST	XXX	ECS	08.11.15	
B	REVISED DRAWING PER REQUEST	XXX	ECS	11.12.15	
C	REVISED DRAWING PER REQUEST	XXX	ECS	11.19.15	
D	REVISED DRAWING PER REQUEST	XXX	ECS	12.18.15	
E	REVISED DRAWING PER REQUEST	XXX	ECS	01.18.16	
F	REVISED DRAWING PER REQUEST	XXX	ECS	02.03.16	

CHANGES TO DRAWING MAY RESULT IN CHANGES TO DELIVERY DATE & COST



MIN 6" CLEARANCE
ABOVE FLUE PEDESTALS

GAS TYPE: _____
ELEVATION: _____
TO BE SPECIFIED BEFORE MFG.

1. \oplus G R REGULATOR AND GAS CONNECTION
 E ELECTRICAL CONNECTION
 D DRAIN
 R REFRIGERATION
 W WATER
2. GAS SHUT-OFF VALVES AND CONNECTIONS SUPPLIED BY OTHERS.
3. ALL ELECTRICAL WORK (INSTALLATIONS AND CONNECTIONS) MUST BE PROVIDED BY OTHERS (BY CERTIFIED ELECTRICIAN)



UNLESS OTHERWISE NOTED DIMENSIONS ARE IN INCHES AND TOLERANCES: .X \pm .125 .XX \pm .03 .XXX \pm .015. ANGLES \pm 1°

MATERIAL	DRAWN	ECS	08.12.15
FINISH	CHECKED		
	APPROVED		

DESC	The Beacon		
FOR	SIZE	DWG NO	
	B	15276F	
SCALE	NTS	SHEET	4 OF 4