

THIS DRAWING IS THE PROPERTY OF JADE RANGE LLC NO PART OF THIS DOCUMENT MAY BE COPIED OR USED WITHOUT THE WRITTEN PERMISSION.

THIS DRAWING IS A CONCEPTUAL LAYOUT, SUBJECT TO CHANGES AS THE FINAL MANUFACTURING PARTS ARE CREATED.

NOTES:

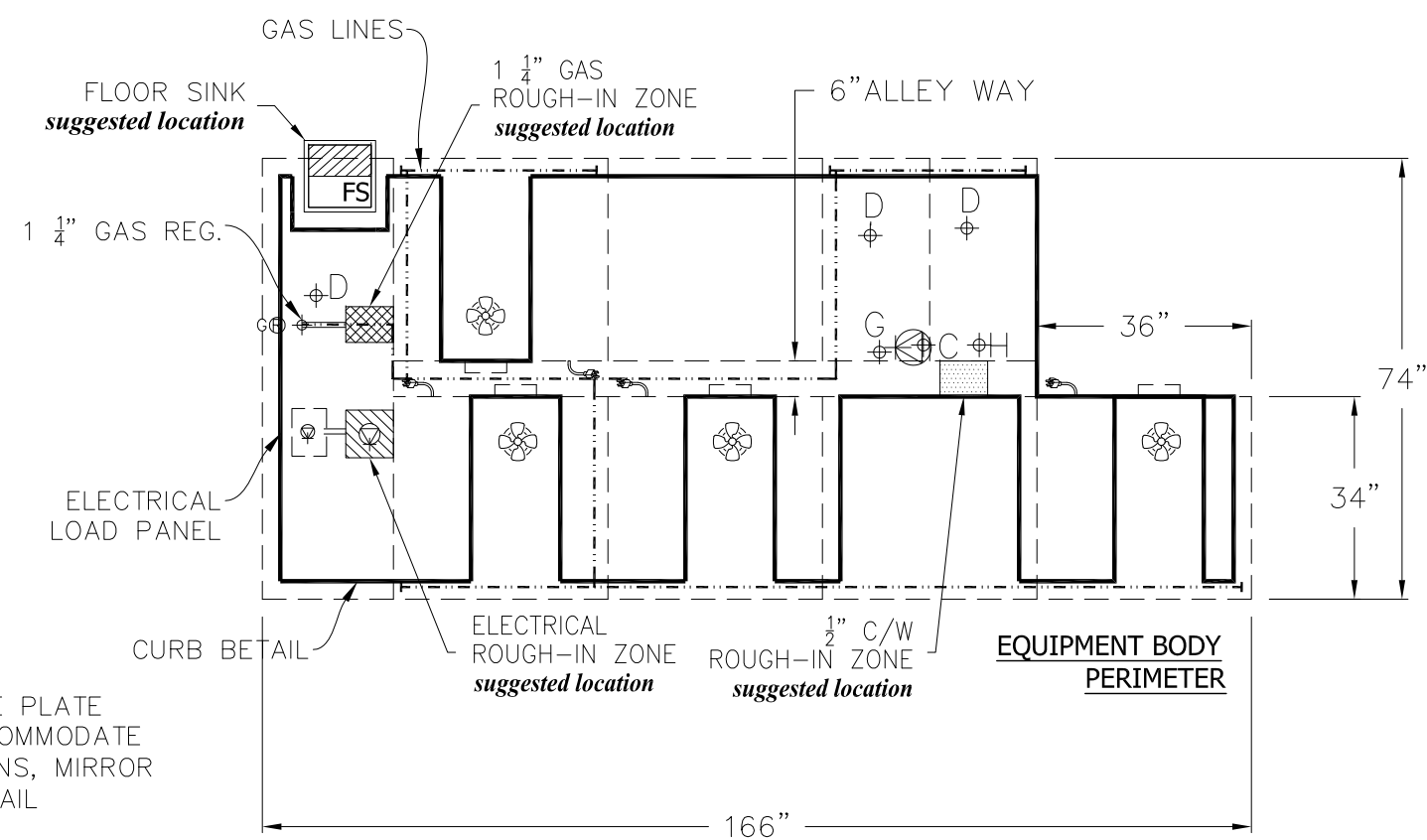
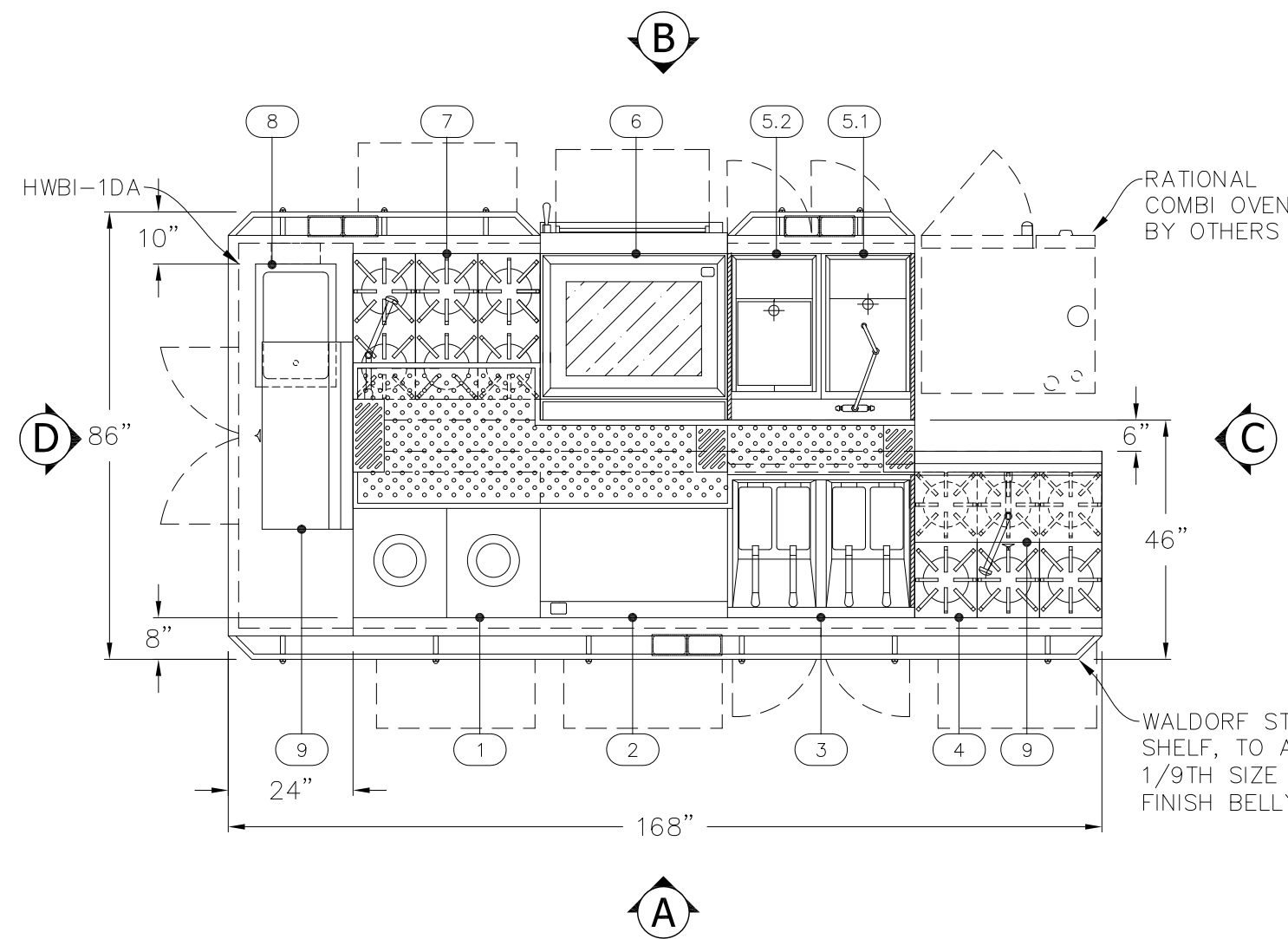
- All electrical wires, conduit and pig tails are provided by Jade and are long enough to reach the main load panel, which is also provided by Jade. The connection of the wires, conduit and pigtails, which are provided by Jade, from each component to the load panel is to be completed by the KEC or contract electrician. The KEC or contract electrician is to make the final connection from the load panel to the incoming main line.
- All gas manifolds and connection of the gas manifolds in between each unit are provided by Jade. Those connections to the main manifold from each Jade unit is to be completed by the KEC or plumbing contractor. The KEC or plumbing contractor is to make the final connection from the main manifold to the gas pressure regulator located in the specified location per drawing and then to make the connections to the main incoming gas line.
- All water connections and drain connections are to be completed by the KEC or contract plumber. Jade provides no water or drain connections, only fixtures and devices that require water and / or drains. The KEC or contract plumber is to complete all the water lines to each water connection and each drain connection to the appropriate floor sink/drain.

ITEM	QTY	MODEL #	DESCRIPTION	BTU/HR	AMP
1	1	JTRH-2FHT-36C	TITAN 36", 2 (18") FRENCH HOT TOPS, CONVECTION OVEN BASE	95,000	4.0
2	1	JTRH-36GT-36C	TITAN 36", GRIDDLE TOP, CONVECTION OVEN BASE	120,000	4.0
3	1	JTFF-240-36-F	TITAN 36", TITAN MATCH FRYER, W/FILTRATION SYSTEM	220,000	7.0
4	1	JTRH-6-36C	TITAN 36", 6 (12") OPEN BURNERS, CONVECTION OVEN BASE	240,000	4.0
5.1	1	JTPR-18-SD	TITAN 18", SPREADER CABINET, CABINET BASE	N/A	N/A
	1	SSRS14	DROP-IN SOLSTICE SUPREME RINSE	60,000	N/A
5.2	1	JTPR-18-SD	TITAN 18", SPREADER CABINET, CABINET BASE	N/A	N/A
	1	SSPG14	DROP-IN SOLSTICE PASTA SUPREME RINSE 115V/60/1-Ph	60,000	1.0
6	1	JSHBI-36P	TITAN 36", INFRARED PLANCHA BROILER	104,000	N/A
7	1	JTRH-6-36C	TITAN 36", 6 (12") OPEN BURNERS, CONVECTION OVEN BASE	240,000	4.0
8	1	END CABINET	CUSTOM TITAN END CABINET	N/A	N/A
	1	HWBI-1DA	HATCO DROP-IN HEATED WELLS, 120V/60/1-Ph	N/A	5.1
9	2	JCM-36	TITAN 36", CHEESEMELTER	30,000	N/A

REVISIONS					
REV	DESCRIPTION	ECN	BY	DATE	APPROVED
A	INITIAL DRAWING PER REQUEST	XXX	ECS	09.07.15	
B	REVISED DRAWING PER REQUEST	XXX	ECS	10.16.15	
C	REVISED DRAWING PER REQUEST	XXX	ECS	12.13.15	

CHANGES TO DRAWING MAY RESULT IN CHANGES TO DELIVERY DATE & COST

TOTAL BTU/HR: 1,169,000
 TOTAL AMPS: (120V) 29.1A



MIN 6" CLEARANCE ABOVE FLUE PEDESTALS

GAS TYPE: _____
 ELEVATION: _____
 TO BE SPECIFIED BEFORE MFG.

- REGULATOR AND GAS CONNECTION
- ELECTRICAL CONNECTION
- DRAIN
- REFRIGERATION
- WATER
- GAS SHUT-OFF VALVES AND CONNECTIONS SUPPLIED BY OTHERS.
- ALL ELECTRICAL WORK (INSTALLATIONS AND CONNECTIONS) MUST BE PROVIDED BY OTHERS (BY CERTIFIED ELECTRICIAN)

UNLESS OTHERWISE NOTED DIMENSIONS ARE IN INCHES AND TOLERANCES: .X±.125 .XX±.03 .XXX±.015. ANGLES ±1°

MATERIAL	DRAWN	ECS	09.07.15
FINISH	CHECKED		
	APPROVED		

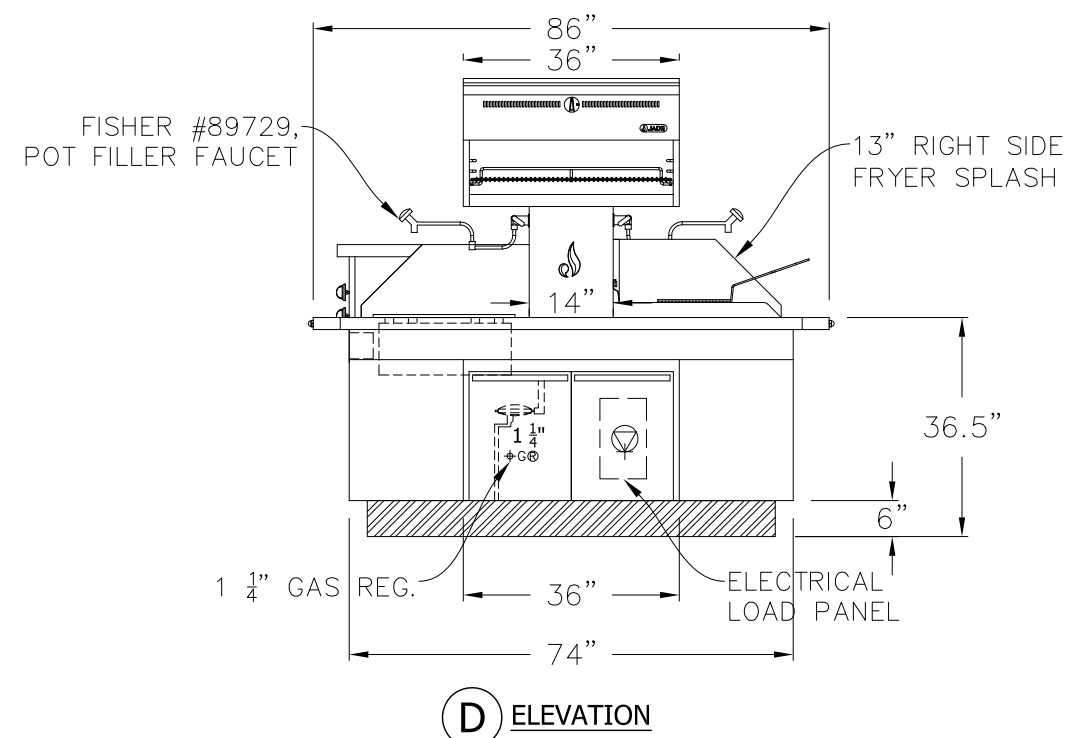
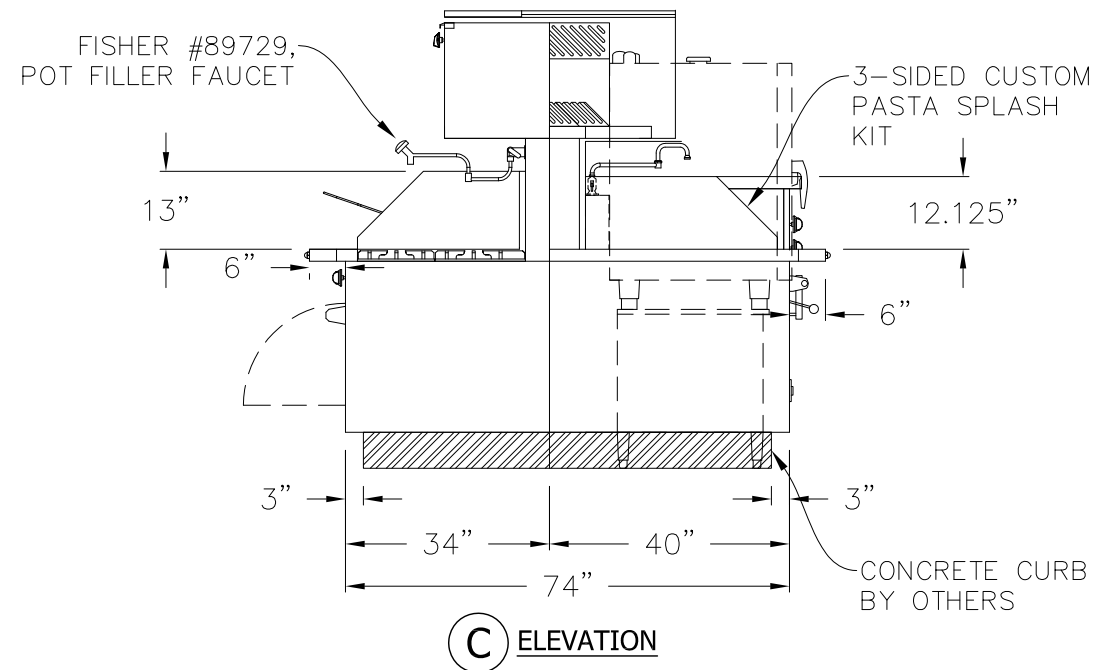
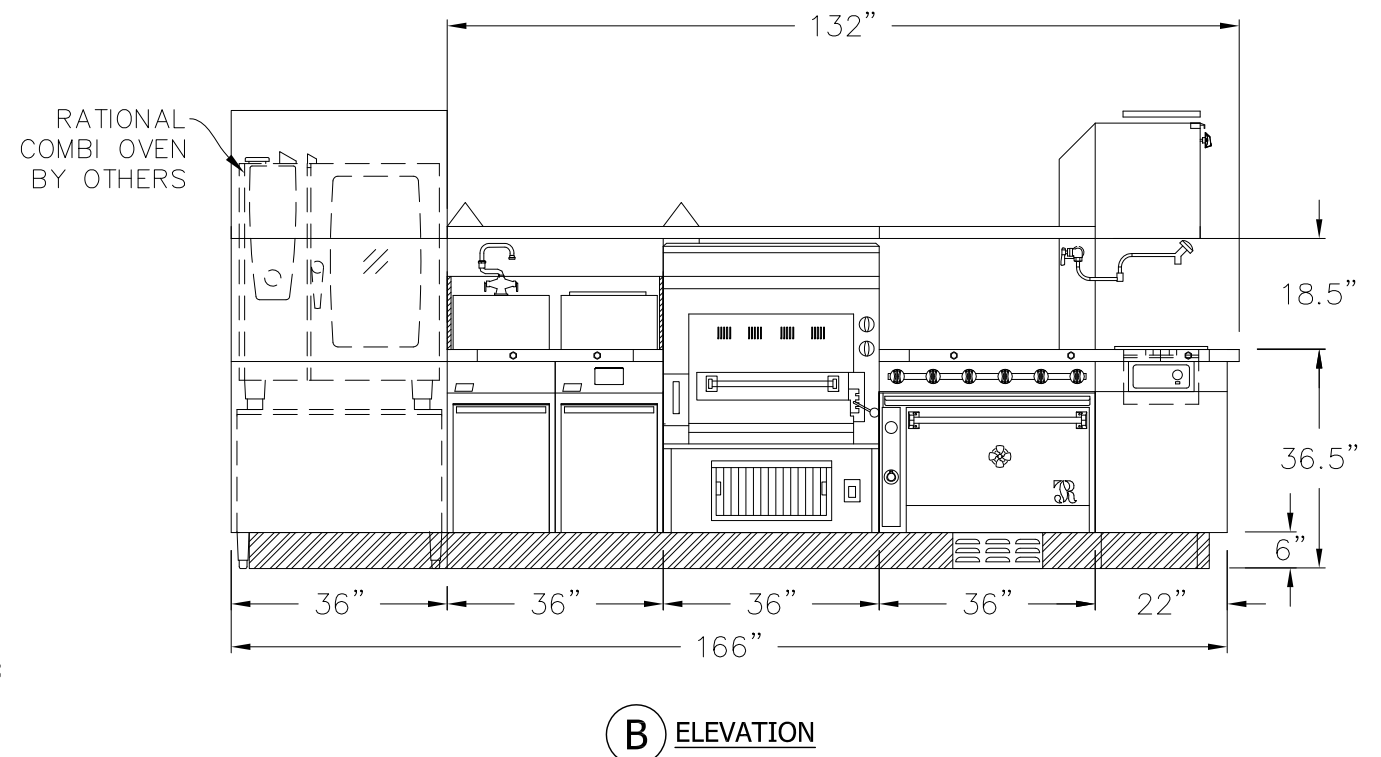
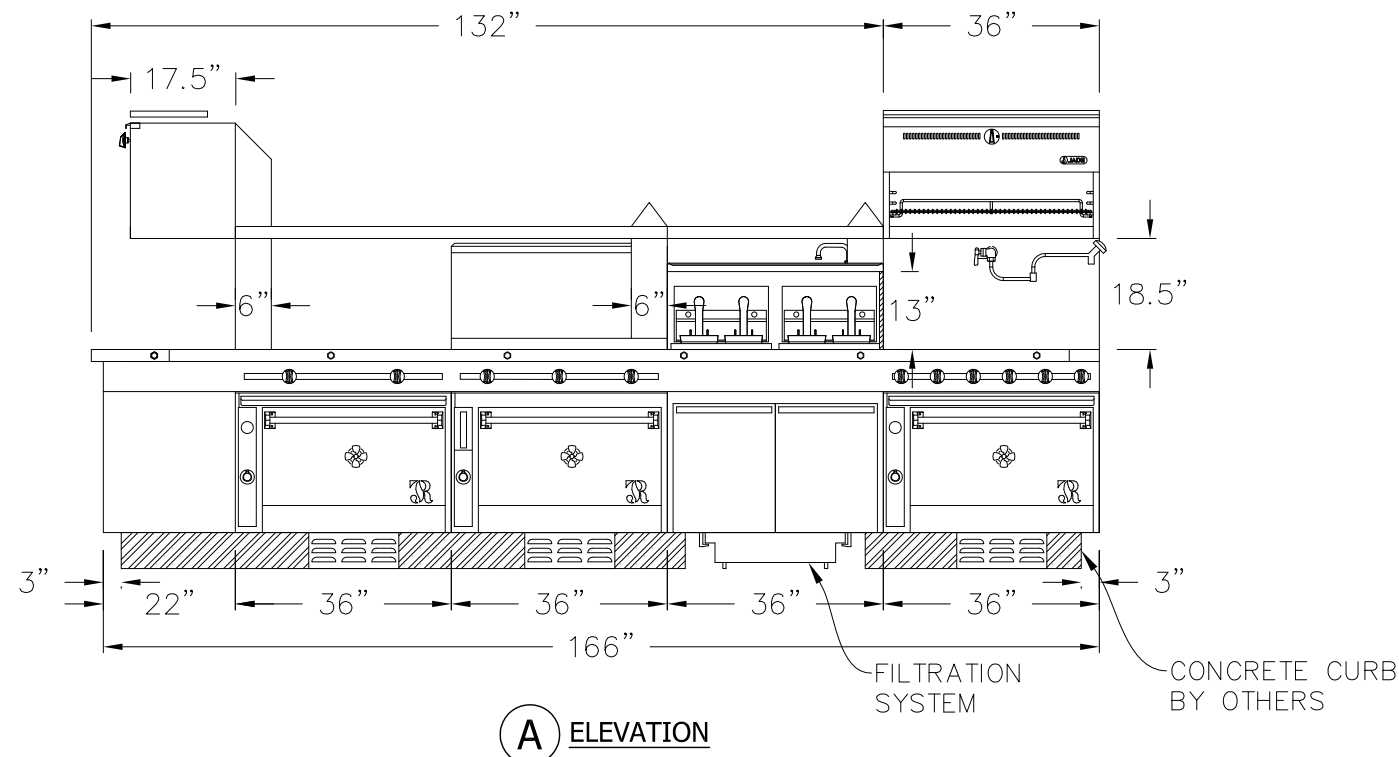
DESC	Pacific City - Huntington Beach, CA		
FOR	SIZE	DWG NO	
	B	15322C	
SCALE	3/8" = 1'-0"		SHEET 1 OF 2

THIS DRAWING IS THE PROPERTY OF JADE RANGE LLC NO PART OF THIS DOCUMENT MAY BE COPIED OR USED WITHOUT THE WRITTEN PERMISSION.

THIS DRAWING IS A CONCEPTUAL LAYOUT, SUBJECT TO CHANGES AS THE FINAL MANUFACTURING PARTS ARE CREATED.

REVISIONS					
REV	DESCRIPTION	ECN	BY	DATE	APPROVED
A	INITIAL DRAWING PER REQUEST	XXX	ECS	09.07.15	
B	REVISED DRAWING PER REQUEST	XXX	ECS	10.16.15	
C	REVISED DRAWING PER REQUEST	XXX	ECS	12.13.15	

CHANGES TO DRAWING MAY RESULT IN CHANGES TO DELIVERY DATE & COST



MIN 6" CLEARANCE ABOVE FLUE PEDESTALS

GAS TYPE:
ELEVATION:
TO BE SPECIFIED BEFORE MFG.

- 1. ⓈⓂ REGULATOR AND GAS CONNECTION
- Ⓢ ELECTRICAL CONNECTION
- Ⓢ DRAIN
- Ⓢ REFRIGERATION
- Ⓢ WATER
- 2. GAS SHUT-OFF VALVES AND CONNECTIONS SUPPLIED BY OTHERS.
- 3. ALL ELECTRICAL WORK (INSTALLATIONS AND CONNECTIONS) MUST BE PROVIDED BY OTHERS (BY CERTIFIED ELECTRICIAN)



UNLESS OTHERWISE NOTED DIMENSIONS ARE IN INCHES AND TOLERANCES: .X±.125 .XX±.03 .XXX±.015. ANGLES ±1°

MATERIAL	DRAWN	ECS	09.07.15
FINISH	CHECKED		
	APPROVED		

DESC	Pacific City - Huntington Beach, CA		
FOR	SIZE	DWG NO	
	B	15322C	
SCALE	3/8" = 1'-0"		SHEET 2 OF 2