

THIS DRAWING IS THE PROPERTY OF JADE RANGE LLC NO PART OF THIS DOCUMENT MAY BE COPIED OR USED WITHOUT THE WRITTEN PERMISSION.

THIS DRAWING IS A CONCEPTUAL LAYOUT, SUBJECT TO CHANGES AS THE FINAL MANUFACTURING PARTS ARE CREATED.

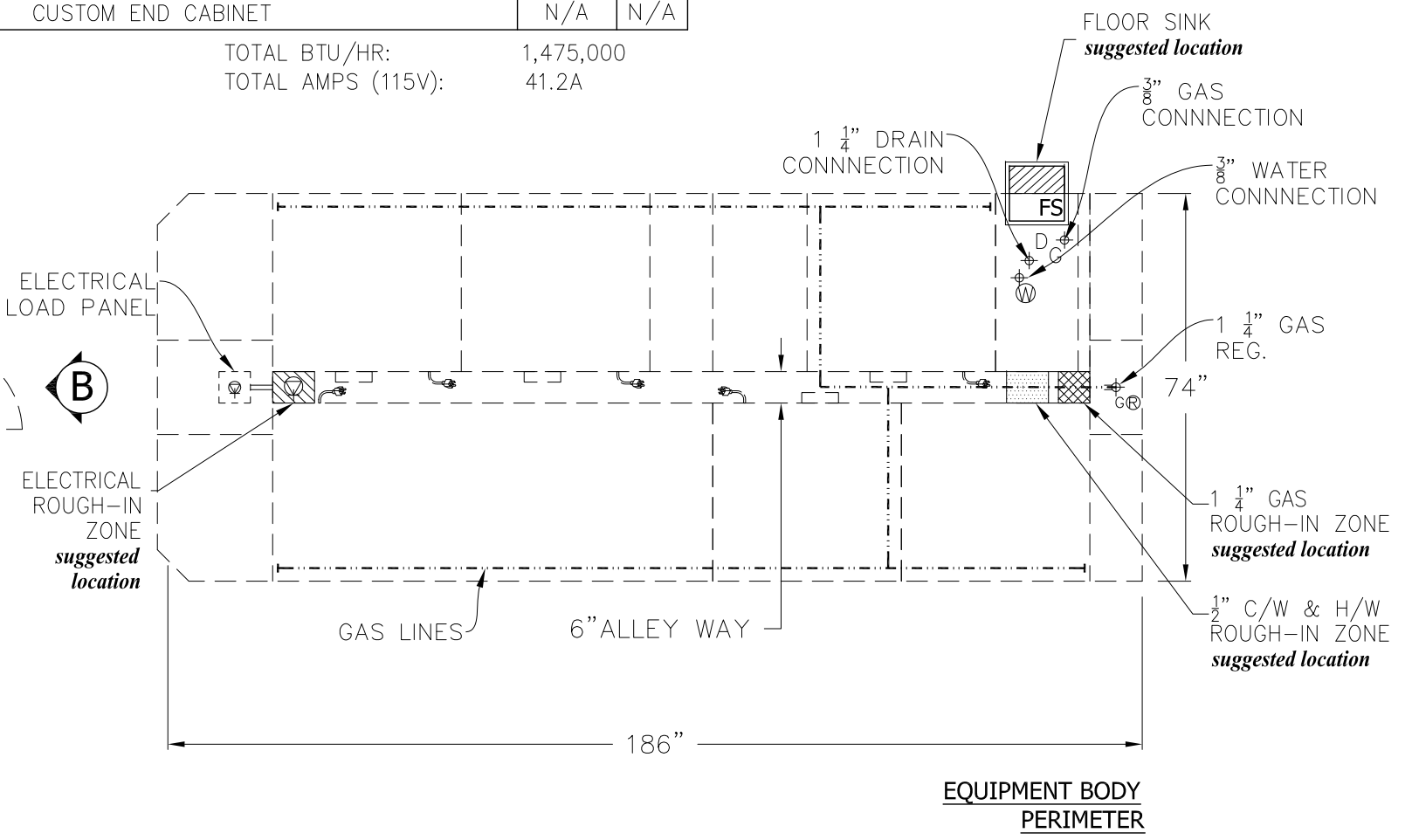
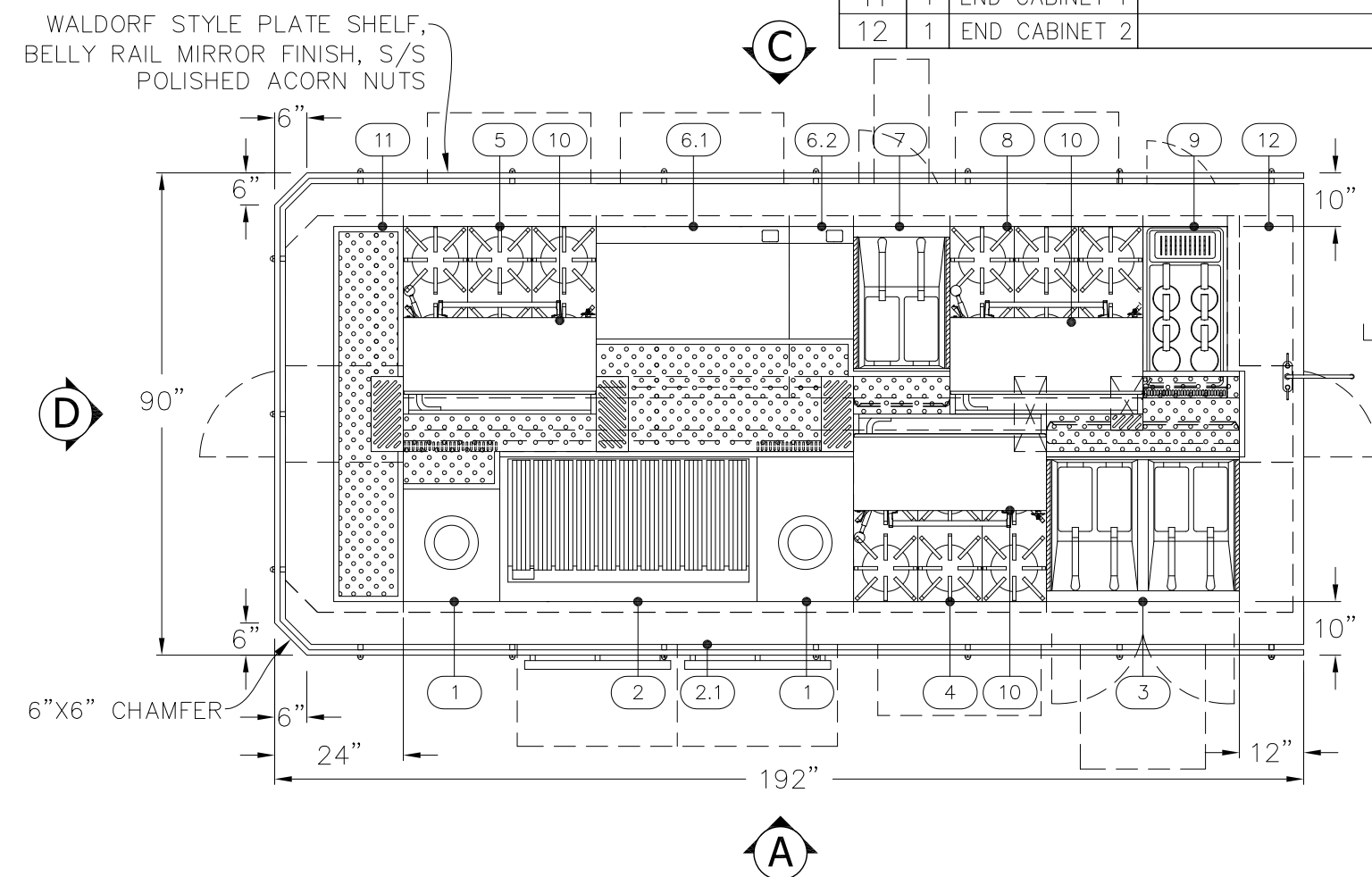
NOTES:
 • All electrical wires, conduit and pig tails are provided by Jade and are long enough to reach the main load panel, which is also provided by Jade. The connection of the wires, conduit and pigtails, which are provided by Jade, from each component to the load panel is to be completed by the KEC or contract electrician. The KEC or contract electrician is to make the final connection from the load panel to the incoming main line.
 • All gas manifolds and connection of the gas manifolds in between each unit are provided by Jade. Those connections to the main manifold from each Jade unit is to be completed by the KEC or plumbing contractor. The KEC or plumbing contractor is to make the final connection from the main manifold to the gas pressure regulator located in the specified location per drawing and then to make the connections to the main incoming gas line.
 • All water connections and drain connections are to be completed by the KEC or contract plumber. Jade provides no water or drain connections, only fixtures and devices that require water and / or drains. The KEC or contract plumber is to complete all the water lines to each water connection and each drain connection to the appropriate floor sink/drain.
 • All units ship assembled unless otherwise specified. Jade Range ships salamanders and cheesemelters range mounted and line-ups & suites ship in as large of sections as possible for easier assembly onsite at the time of install.

ITEM	QTY	MODEL #	DESCRIPTION	BTU/HR	AMP
1	2	JMRH-1FHT	TITAN 18", (1) 18" FRENCH HOT TOP, MODULAR	30,000	N/A
2	1	JMRH-48B	TITAN 48", CHARBROILER, MODULAR	120,000	N/A
2.1	1	JRLH-04S-T-84	TITAN 48", SELF-CONTAINED REFRIGERATED BASE, 115V/60/1-Ph	N/A	12.6
3	1	JTFF-240-36-F	TITAN 36", MATCH DUAL FRYER, W/FILTRATION SYSTEM 115/60/1-Ph	220,000	7.0
4	1	JTRH-6-36C	TITAN 36", (6) 12" OPEN BURNERS, CONVECTION OVEN BASE 115V/60/1-Ph	240,000	4.0
5	1	JTRH-6-36C	TITAN 36", (6) 12" OPEN BURNERS, CONVECTION OVEN BASE 115v/60/1-Ph	240,000	4.0
6.1	1	JTRH-36GT-36C	TITAN 36", THERMOSTATIC GRIDDLE TOP, CONVECTION OVEN BASE 115v/60/1-Ph	120,000	4.0
6.2	1	JTRH-12GT	TITAN 12", THERMOSTATIC GRIDDLE TOP, CABINET BASE	30,000	N/A
7	1	JTFF-40-18-F	TITAN 18", TITAN MATCH FRYER, FILTRATION SYSTEM 115V/60/1-Ph	110,000	5.6
8	1	JTRH-6-36C	TITAN 36", (6) 12" OPEN BURNERS, CONVECTION OVEN BASE 115v/60/1-Ph	240,000	4.0
9	1	CPG-1	TITAN 15.75", MATCH PASTA COOKER, CABINET BASE	60,000	N/A
10	3	JSB-36RM	TITAN 36", SALAMANDER, RANGE MOUNT	35,000	N/A
11	1	END CABINET 1	CUSTOM END CABINET	N/A	N/A
12	1	END CABINET 2	CUSTOM END CABINET	N/A	N/A

REVISIONS					
REV	DESCRIPTION	ECN	BY	DATE	APPROVED
A	INITIAL DRAWING PER REQUEST	XXX	ECS	03.29.16	
B	REVISED DRAWING PER REQUEST	XXX	ECS	04.25.16	
C	REVISED DRAWING PER REQUEST	XXX	ECS	05.12.16	
D	REVISED DRAWING PER REQUEST	XXX	ECS	07.20.16	
E	REVISED DRAWING PER REQUEST	XXX	ECS	07.29.16	
F	REVISED DRAWING PER REQUEST	XXX	ECS	08.03.16	
G	REVISED DRAWING PER REQUEST	XXX	ECS	08.04.16	
H	REVISED DRAWING PER REQUEST	XXX	ECS	08.11.16	

CHANGES TO DRAWING MAY RESULT IN CHANGES TO DELIVERY DATE & COST

TOTAL BTU/HR: 1,475,000
 TOTAL AMPS (115V): 41.2A



MIN 6" CLEARANCE ABOVE FLUE PEDESTALS

GAS TYPE:
 ELEVATION:
 TO BE SPECIFIED BEFORE MFG.

- REGULATOR AND GAS CONNECTION
 ELECTRICAL CONNECTION
 DRAIN
 REFRIGERATION
 WATER
- GAS SHUT-OFF VALVES AND CONNECTIONS SUPPLIED BY OTHERS.
- ALL ELECTRICAL WORK (INSTALLATIONS AND CONNECTIONS) MUST BE PROVIDED BY OTHERS (BY CERTIFIED ELECTRICIAN)



UNLESS OTHERWISE NOTED DIMENSIONS ARE IN INCHES AND TOLERANCES: .X±.125 .XX±.03 .XXX±.015. ANGLES ±1°

MATERIAL	DRAWN	ECS	03.29.16
FINISH	CHECKED		
	APPROVED		

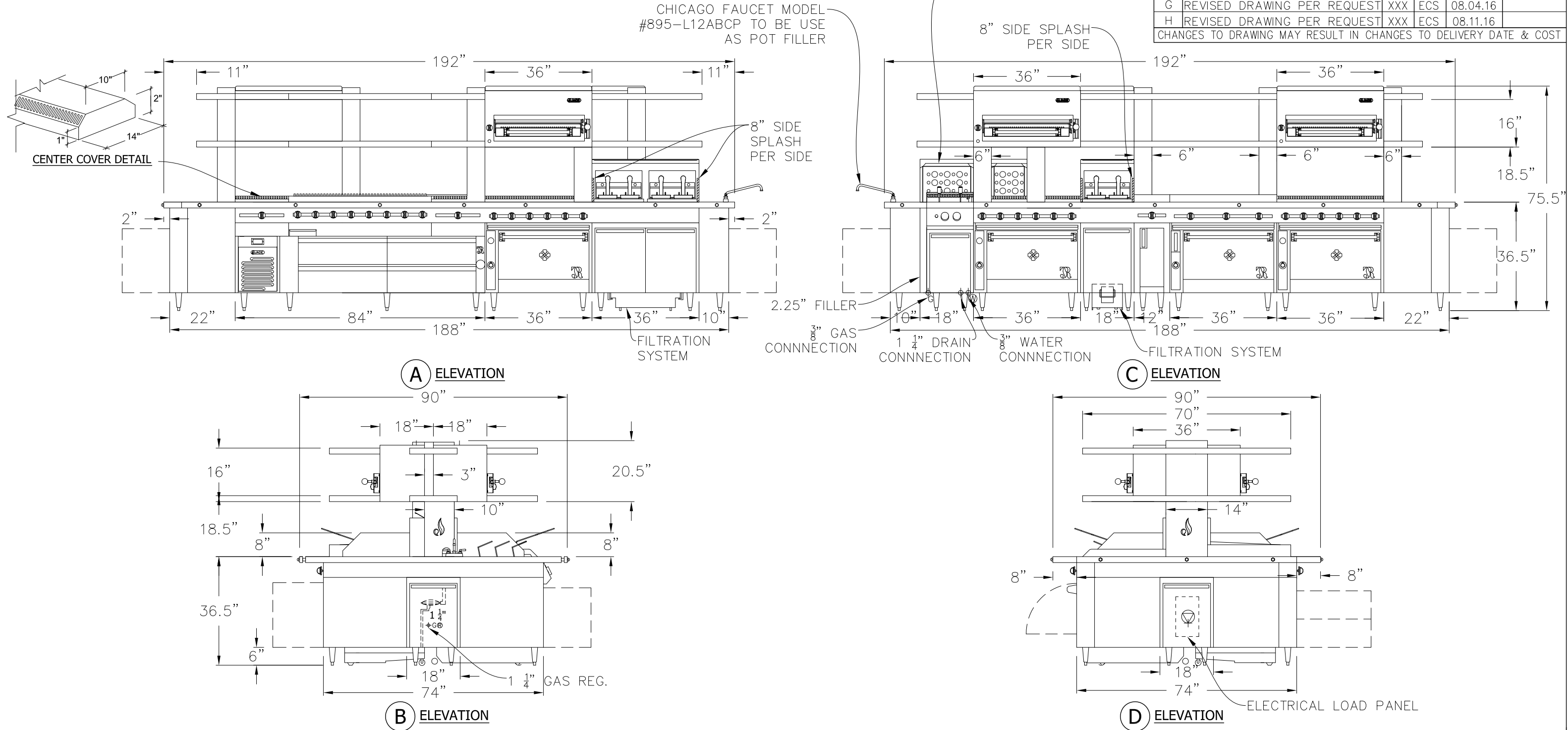
DESC	ABC 97 - Waikiki Trade Center		
FOR	SIZE	DWG NO	
	B	16107H	
SCALE	3/8" = 1'-0"		SHEET 1 OF 2

THIS DRAWING IS THE PROPERTY OF JADE RANGE LLC NO PART OF THIS DOCUMENT MAY BE COPIED OR USED WITHOUT THE WRITTEN PERMISSION.

THIS DRAWING IS A CONCEPTUAL LAYOUT, SUBJECT TO CHANGES AS THE FINAL MANUFACTURING PARTS ARE CREATED.

REVISIONS					
REV	DESCRIPTION	ECN	BY	DATE	APPROVED
A	INITIAL DRAWING PER REQUEST	XXX	ECS	03.29.16	
B	REVISED DRAWING PER REQUEST	XXX	ECS	04.25.16	
C	REVISED DRAWING PER REQUEST	XXX	ECS	05.12.16	
D	REVISED DRAWING PER REQUEST	XXX	ECS	07.20.16	
E	REVISED DRAWING PER REQUEST	XXX	ECS	07.29.16	
F	REVISED DRAWING PER REQUEST	XXX	ECS	08.03.16	
G	REVISED DRAWING PER REQUEST	XXX	ECS	08.04.16	
H	REVISED DRAWING PER REQUEST	XXX	ECS	08.11.16	

CHANGES TO DRAWING MAY RESULT IN CHANGES TO DELIVERY DATE & COST



MIN 6" CLEARANCE ABOVE FLUE PEDESTALS

GAS TYPE: _____
 ELEVATION: _____
 TO BE SPECIFIED BEFORE MFG.

- REGULATOR AND GAS CONNECTION
- ELECTRICAL CONNECTION
- DRAIN
- REFRIGERATION
- WATER
- GAS SHUT-OFF VALVES AND CONNECTIONS SUPPLIED BY OTHERS.
- ALL ELECTRICAL WORK (INSTALLATIONS AND CONNECTIONS) MUST BE PROVIDED BY OTHERS (BY CERTIFIED ELECTRICIAN)



UNLESS OTHERWISE NOTED DIMENSIONS ARE IN INCHES AND TOLERANCES: .X±.125 .XX±.03 .XXX±.015. ANGLES ±1°

MATERIAL	DRAWN	ECS	03.29.16
FINISH	CHECKED		
	APPROVED		

DESC	ABC 97 - Waikiki Trade Center		
FOR	SIZE	DWG NO	16107H
	B		
SCALE	3/8" = 1'-0"	SHEET	2 OF 2