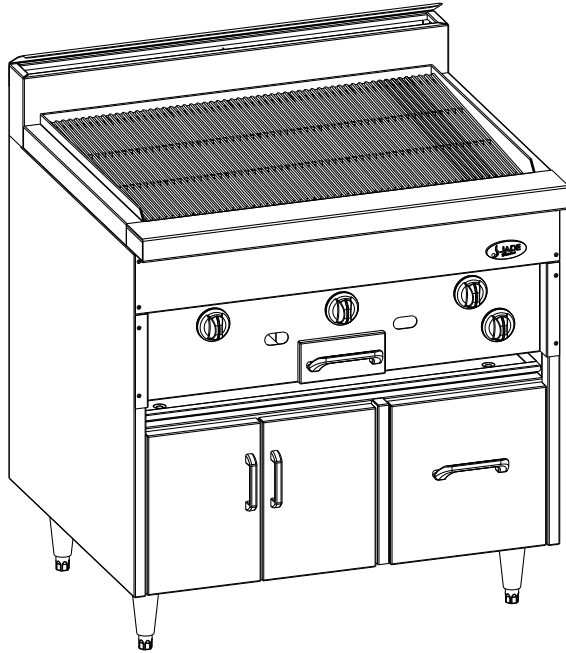




# CHITWOOD CHARBROILER

*Bistro*

CHITWOOD CHARBROILER



**JBKC-36**

shown with doors and drawers

**DESCRIPTION:**

CHITWOOD SMOKE BROILER. To be model # JBKC \_\_\_ manufactured by Jade Range. Furnished with all body welded construction and stainless steel front, sides, and top rim. Provided with heavy duty cast iron grates. Two burners with radiants for every 8" of broiler. 12 gauge firebox with all welded construction. Includes exclusive Smoke Ejector system, heavy gauge smoke drawer with independent control for cold smoke applications.

MODEL NO.	DESCRIPTION
<input type="checkbox"/> JBKC-24	24" Chitwood Charbroiler
<input type="checkbox"/> JBKC-36	36" Chitwood Charbroiler

**STANDARD FEATURES**

- Stainless steel all welded body construction
- Heavy duty cast iron 9-bar grill grates
- Stainless steel front, sides, and top rim
- 30,000 BTU/hr. every 12" broiler
- Exclusive CHITWOOD Smoke-Ejector system to provide maximum smoke to the grill surface. Independent of main burner heat for COLD SMOKING
- Infinite control manual gas valves at each burner for precise heat control
- 12 gauge all welded firebox construction
- 3/4" gas regulator
- Stainless steel gas tubing throughout
- Stainless steel tray bed

**ACCESSORIES**

- 6" casters, front two locking (5" diameter wheel)
- 36" flex hose with quick disconnect (3/4" connection)
- 48" flex hose with quick disconnect (3/4" connection)
- Single High risers
- Double High risers

**AVAILABLE OPTIONS**

- Drawers and doors for storage

WWW.JADERANGE.COM

JADE RANGE, LLC., A MIDDLEBY COMPANY • 2650 Orbiter Street • Brea, CA 92821 •  
PHONE: 800-884-5233 • FAX: 714-961-2550

Note: In line with their policy to continually improve products, Jade reserves the right to change materials and specifications without notice. Printed in USA

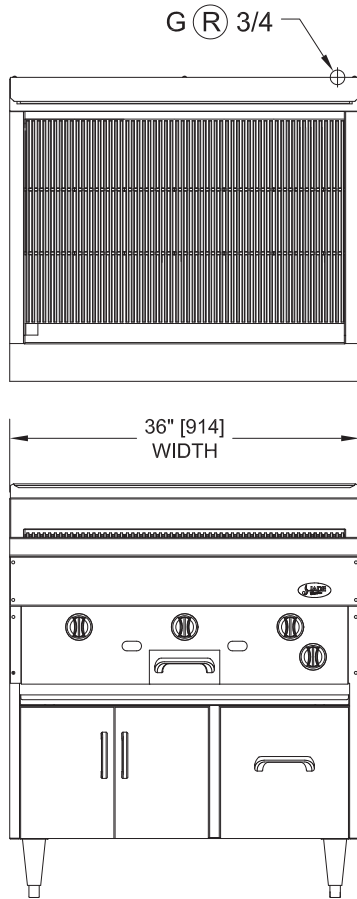




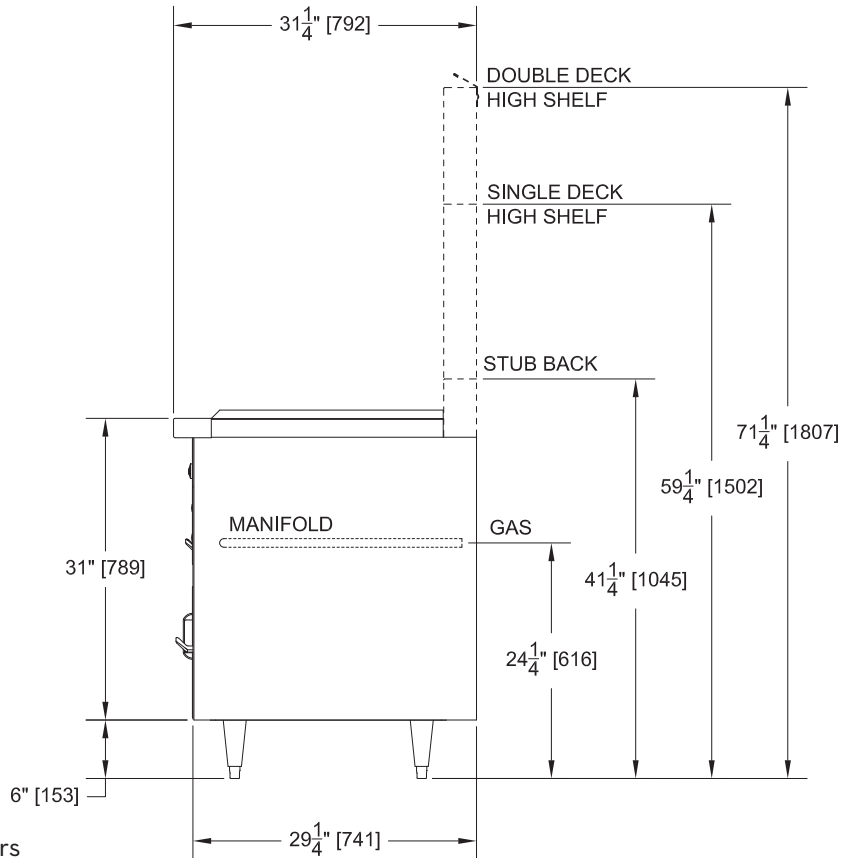
# CHITWOOD CHARBROILER

*Bistro*

CHITWOOD CHARBROILER



**JBKC-36**  
shown with doors and drawers



MODEL	BTU'S	WIDTH	DEPTH	HEIGHT	APPX. SHP. WT
JBKC-24	60,000	24"	31"	36"	300 LBS.
JBKC-36	90,000	36"	31"	36"	350 LBS.

**UTILITY INFORMATION:**

- 3/4" Connection - see drawing for location
- Required operating pressure:  
 Natural Gas 5" W.C. minimum  
 Propane Gas 10" W.C. minimum  
 14" W.C. maximum

**NOTE:** This unit must be connected with the gas appliance regulator supplied

**NOTE: SPECIFY TYPE OF GAS WHEN ORDERING  
 SPECIFY ALTITUDE WHEN ABOVE 2,000 FT.**

WWW.JADERANGE.COM

JADE RANGE, LLC., A MIDDLEBY COMPANY • 2650 Orbiter Street • Brea, CA 92821 •  
 PHONE: 800-884-5233 • FAX: 714-961-2550

Note: In line with their policy to continually improve products, Jade reserves the right to change materials and specifications without notice. Printed in USA

