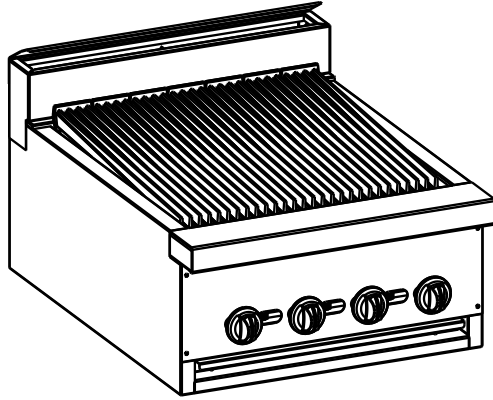




CHARBROILER MODULAR

Bistro

MODULAR BISTRO CHARBROILER



JBR-24B-M

shown with standard stub back

DESCRIPTION:

MODULAR BISTRO GRIDDLE. To be model # JBR ___ manufactured by Jade Range. Furnished with all body welded construction and stainless steel front, sides, and top rim. Provided with heavy duty cast iron grates. Shallow depth broiler top sections are to have cast iron 15,000 BTU/hr burner every 6".

BASE OPTIONS:

- Floor length legs
- Refrigerator base (remote or self-contained)
- Freezer base (remote or self-contained)

MODEL NO.	DESCRIPTION
<input type="checkbox"/> JBR-12B-M	12" Charbroiler Modular
<input type="checkbox"/> JBR-24B-M	24" Charbroiler Modular
<input type="checkbox"/> JBR-36B-M	36" Charbroiler Modular
<input type="checkbox"/> JBR-48B-M	48" Charbroiler Modular
<input type="checkbox"/> JBR-60B-M	60" Charbroiler Modular
<input type="checkbox"/> JBR-72B-M	72" Charbroiler Modular

STANDARD FEATURES

- Heavy Duty Construction Welded stainless steel frame
- Stainless steel gas tubing throughout
- Stainless steel pilot tips
- Stainless steel crumb tray
- Stainless steel burner box
- Heavy duty cast iron top grates with built-in grease guides that channel away excess fat and reduce flaring
- Infinite control manual gas valves at each burner for precise heat control
- Heavy duty cast iron burner radiants
- Stainless steel solid 4" plate shelf landing
- One 3/4" rear gas connection
- One 3/4" gas regulators included
- One 15,000 BTU/hr burner every 6"
- Stainless steel stub back 6" high

AVAILABLE OPTIONS

- 36" flex hose with quick disconnect
- 48" flex hose with quick disconnect
- Additional oven rack (one supplied per oven)
- Stainless Steel 22" high riser or 22" single tubular high shelf
- Stainless Steel 34" high riser or 34" double tubular high shelf
- Casters 6" - with 5" wheel diameter
- Counter top legs - 4" tall

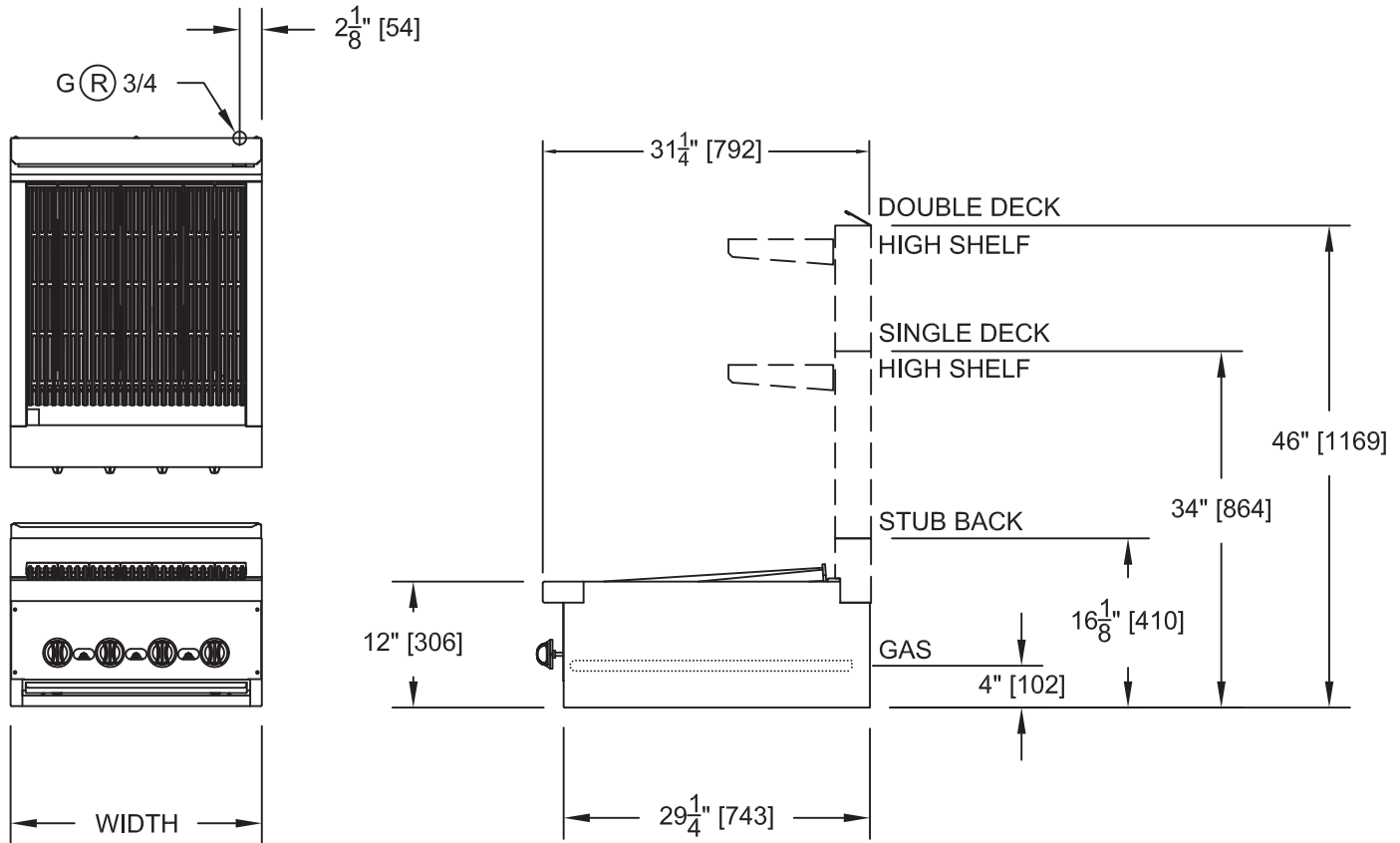


JADE RANGE, LLC., A MIDDLEBY COMPANY • 2650 Orbiter Street • Brea, CA 92821 •
PHONE: 800-884-5233 • FAX: 714-961-2550

Note: In line with their policy to continually improve products, Jade reserves the right to change materials and specifications without notice. Printed in USA

WWW.JADERANGE.COM





JBR-24B-M

shown with standard stub back

MODEL	BTU'S	WIDTH	DEPTH	HEIGHT	APPX. SHP. WT
JBR-12B-M	30,000	12"	31"	12"	150 LBS.
JBR-24B-M	60,000	24"	31"	12"	250 LBS.
JBR-36B-M	90,000	36"	31"	12"	350 LBS.
JBR-48B-M	120,000	48"	31"	12"	400 LBS.
JBR-60B-M	150,000	60"	31"	12"	450 LBS.
JBR-72B-M	180,000	72"	31"	12"	500 LBS.

UTILITY INFORMATION:

- 3/4" Connection - see drawing for location
- Required operating pressure:
 Natural Gas 5" W.C. minimum
 Propane Gas 10" W.C. minimum
 14" W.C. maximum

NOTE: This unit must be connected with the gas appliance regulator supplied

**NOTE: SPECIFY TYPE OF GAS WHEN ORDERING
SPECIFY ALTITUDE WHEN ABOVE 2,000 FT.**