



MODULAR RANGE MATCH BROILER

TITAN MODULAR RANGE MATCH BROILER



JMRH-48B shown with high back riser
and JRLH-02S-T-48



JMRH-36
Shown with floor length legs

MODEL NO.	DESCRIPTION
<input type="checkbox"/> JMRH-18B	18" MODULAR CHARBROILER
<input type="checkbox"/> JMRH-24B	24" MODULAR CHARBROILER
<input type="checkbox"/> JMRH-30B	30" MODULAR CHARBROILER
<input type="checkbox"/> JMRH-36B	36" MODULAR CHARBROILER
<input type="checkbox"/> JMRH-48B	48" MODULAR CHARBROILER
<input type="checkbox"/> JMRH-60B	60" MODULAR CHARBROILER
<input type="checkbox"/> JMRH-72B	72" MODULAR CHARBROILER

STANDARD FEATURES

- 14 gauge all welded body construction
- Stainless steel front, top, sides and stub back
- Heavy duty cast iron top grates with built-in grease guides that channel away excess fat and reduce flaring
- Heavy duty cast iron burner radiants
- One 15,000 BTU/hr. burner every 6" broiler
- Variable size multi-point gas connection—see utility information for details
- Infinite control manual gas valves at each burner for precise heat control
- 12 gauge all welded firebox construction
- Two separate 14 gauge steel drip pans to control flare ups
- Back and bottom finished with heat resistant black paint
- Stainless steel 6" plate shelf
- Stainless steel gas tubing throughout
- Stainless steel tray bed
- 3/4" gas regulator (shipped loose, must be installed for proper operation)

AVAILABLE OPTIONS

- Stainless steel high riser
- Stainless steel double high riser
- Stainless steel tubular high shelf
- Stainless steel tubular double high shelf
- Fish grate (round bars)
- Stainless steel sides
- Common plate shelf with Item(s) Model(s)
- Cap and cover manifold. Left Right

ACCESSORIES

- 6" casters, front two locking (5" diameter wheel)
- 36" flex hose with quick disconnect (3/4" connection)
- 48" flex hose with quick disconnect (3/4" connection)
- 1" gas pressure regulator (specify gas type)
- 1-1/4" gas pressure regulator (specify gas type)



For refrigeration



For cooking

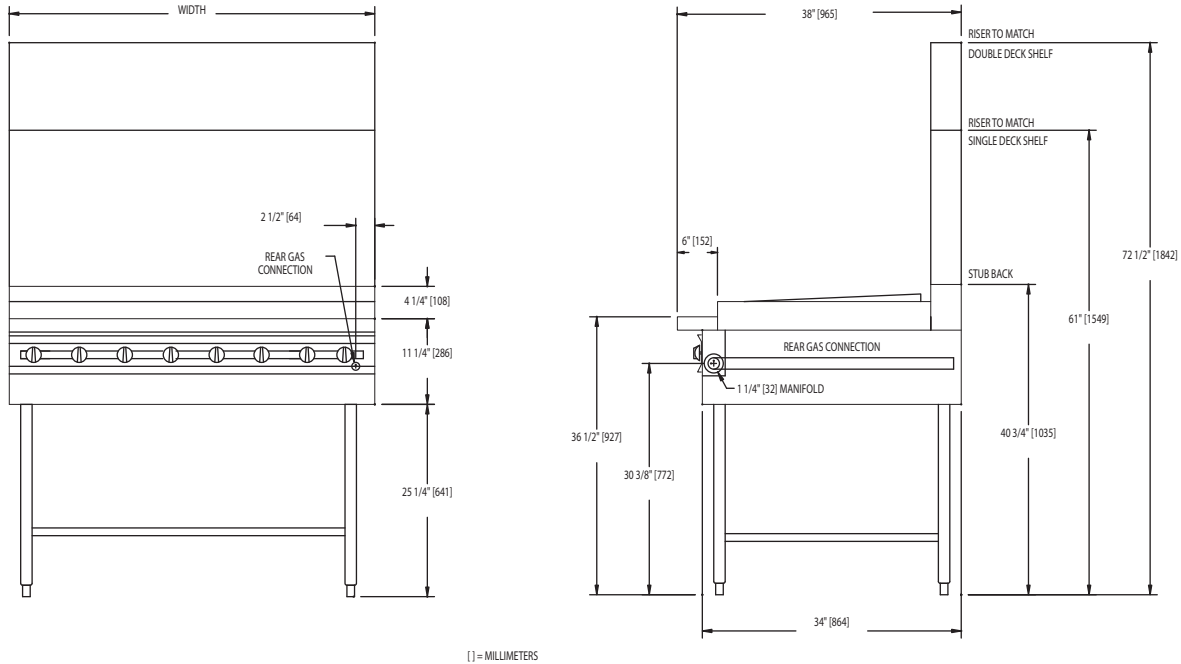
WWW.JADERANGE.COM

JADE RANGE, LLC., A MIDDLEBY COMPANY • 2650 Orbiter Street • Brea, CA 92821 • PHONE: 800-884-5233 FAX: 714-961-2550
Note: In line with their policy to continually improve products, Jade reserves the right to change materials and specifications without notice. PRINTED IN USA





MODULAR RANGE MATCH BROILER



MODEL	BTUS	WIDTH	DEPTH	HEIGHT	APPX. SHP. WT.
JMRH-18B	45,000	18"	38"	SEE DRAWING	200 LBS.
JMRH-24B	60,000	24"	38"	SEE DRAWING	250 LBS.
JMRH-30B	75,000	30"	38"	SEE DRAWING	300 LBS.
JMRH-36B	90,000	36"	38"	SEE DRAWING	350 LBS.
JMRH-48B	120,000	48"	38"	SEE DRAWING	400 LBS.
JMRH-60B	150,000	60"	38"	SEE DRAWING	450 LBS.
JMRH-72B	180,000	72"	38"	SEE DRAWING	500 LBS.

DESCRIPTION:

Modular range match charbroiler. To be model #JMRH _____ manufactured by Jade Range. Furnished with 14 gauge all welded body construction and stainless steel front, top, sides, stub back. Provide with heavy duty cast iron top grates and burner radiants. To have one individually controlled 15,000 BTU/hr. burner for every 6" of broiler. Provide 12 gauge firebox with all welded construction. Furnish two separate 14 gauge drip pans. To have 6" stainless steel adjustable legs.

SPECIFY TYPE OF GAS WHEN ORDERING.

SPECIFY ALTITUDE WHEN ABOVE 2,000 ft.

NOTE: SPECIFY TYPE OF GAS WHEN ORDERING.

UTILITY INFORMATION:

- Ranges are supplied with 1-1/4" front manifold connection and a 1" or 3/4" capped rear manifold connection. For rear manifold connection, remove cap. Ranges are supplied with 3/4" gas pressure regulator. For 1-1/4" or 1" gas pressure regulator, see accessories. (Specify required front manifold cap and cover when ordering.)

- Required operating pressure:
 Natural Gas 5" W.C. minimum
 Propane Gas 10" W.C. minimum
 14" W.C. maximum

Note: This unit must be connected with the gas appliance regulator supplied.