



# CERAMIC TANDOOR OVEN

TANDOOR



JCT-1627

MODEL NO.	DESCRIPTION
JCT-1627	CERAMIC TANDOOR OVEN

### STANDARD FEATURES

- Stainless steel body, front, sides and top
- Ceramic oven pot
- Equipped with Safety valve, On/Off valve, Pilot valve, Piezo igniter and Glass thermometer
- Stainless steel oven cover
- 3/4" rear gas connection
- Rest on 4" caster wheel, 2 with brakes
- Includes skewers and briquettes
- Optional with or without food pan

### WARRANTY

One year from the date of purchase

INQUIRE FROM FACTORY FOR SPECIAL OR CUSTOM REQUIREMENTS.

Jade Range has a policy of continuous product research and development. We reserve the right to change specifications and product design without notice. Such revisions do not entitle the buyer to corresponding changes, improvements, additions or replacements for previously purchase equipment.

Jade Range Ceramic Tandoor is the most economical and flexible in the food service industry. It offers unsurpassed performances, combining proven control system with Jade quality and durability. With your proper care and maintenance you will experience years of reliable and trouble-free operation.



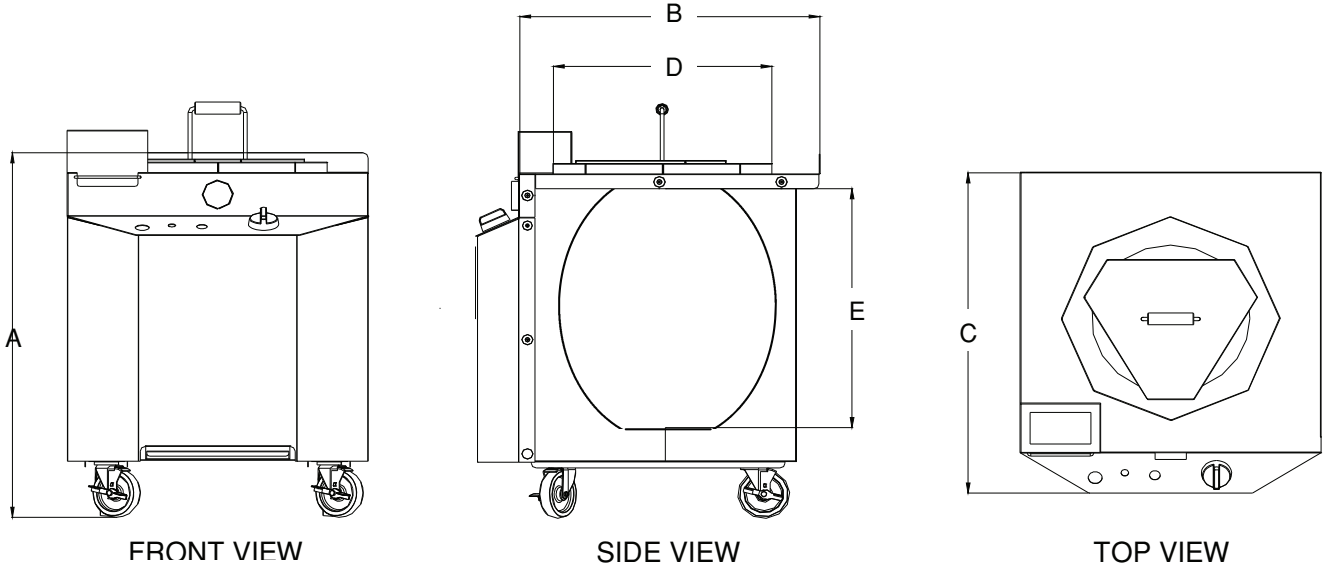
WWW.JADERANGE.COM

JADE RANGE, LLC., A MIDDLEBY COMPANY • 2650 Orbiter Street • Brea, CA 92821 • PHONE: 800-884-5233 FAX: 714-961-2550  
Note: In line with their policy to continually improve products, Jade reserves the right to change materials and specifications without notice. PRINTED IN USA

JADE



# CERAMIC TANDOOR OVEN



MODEL	DIMENSIONS				
	A	B	C	D	E
JCT-1627	37"	30"	34"	20"	27"

#### DESCRIPTION:

Ceramic Tandoor Oven. To be model #JCT-1627, manufactured by Jade Range LLC. Furnished with stainless steel body, front, sides and top. Ceramic oven pot. Equipped with Safety valve, On/Off valve, Pilot valve, Piezo igniter and Glass thermometer. Stainless steel oven cover. 3/4" rear gas connection. Rest on 4" caster wheel, 2 with brakes. Includes skewers and briquettes. Optional with or without food pan.

#### SPECIFY TYPE OF GAS WHEN ORDERING.

#### SPECIFY ALTITUDE WHEN ABOVE 2,000 ft.

NOTE: The company reserves the right to make substitutions of components without prior notice.

Note: Burner is rated with 32,000 BTU for propane gas and 31,000 for natural gas.

#### UTILITY INFORMATION - GAS:

- Ranges are supplied with 1-1/4" front manifold connection and a 1" or 3/4" capped rear manifold connection. For rear manifold connection, remove cap. Ranges are supplied with 3/4" gas pressure regulator. For 1-1/4" or 1" gas pressure regulator, see accessories. (Specify required front manifold cap and cover when ordering.)
- Required operating pressure:  
Natural Gas 5" W.C. minimum  
Propane Gas 10" W.C. minimum  
14" W.C. maximum

**Note:** This unit must be connected with the gas appliance regulator supplied.