



# MODULAR SPREADER

TITAN MODULAR SPREADER



JMPR-12  
(shown without legs)

MODEL NO.	DESCRIPTION
<input type="checkbox"/> JMPR-6	6" MODULAR SPREADER
<input type="checkbox"/> JMPR-12	12" MODULAR SPREADER
<input type="checkbox"/> JMPR-18	18" MODULAR SPREADER
<input type="checkbox"/> JMPR-24	24" MODULAR SPREADER
<input type="checkbox"/> JMPR-36	36" MODULAR SPREADER

### STANDARD FEATURES

- 1" rear gas connection—see utility information for details
- 14 gauge stainless steel all welded body construction
- Stainless steel top, front, sides and stub back
- Stainless steel 6" plate shelf

### AVAILABLE OPTIONS

- Stainless steel high riser
- Stainless steel double high riser
- Stainless steel high shelf
- Stainless steel double high shelf
- Stainless steel tubular high shelf
- Stainless steel tubular double high shelf
- Common plate shelf with Item(s) Model(s) \_\_\_\_\_
- Cap and cover manifold. Left  Right

### ACCESSORIES

- 6" casters, front two locking (5" diameter wheel)
- 36" flex hose with quick disconnect (3/4" connection)
- 48" flex hose with quick disconnect (3/4" connection)
- 1-1/4" gas pressure regulator (specify gas type)
- 1" gas pressure regulator (specify gas type)

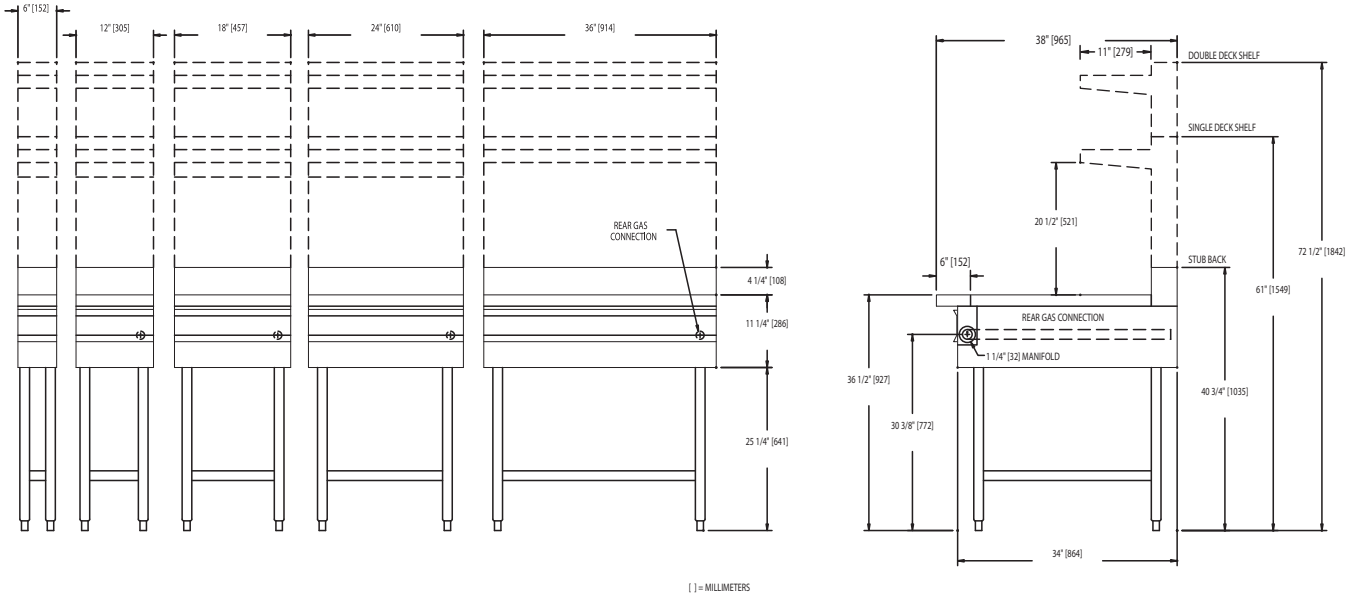
WWW.JADERANGE.COM

JADE RANGE, LLC., A MIDDLEBY COMPANY • 2650 Orbiter Street • Brea, CA 92821 • PHONE: 800-884-5233 FAX: 714-961-2550  
Note: In line with their policy to continually improve products, Jade reserves the right to change materials and specifications without notice. PRINTED IN USA





# MODULAR SPREADER



MODEL	WIDTH	DEPTH	HEIGHT	APPX. SHP. WT.
JMPR-6	6"	38"	SEE DRAWING	80 LBS.
JMPR-12	12"	38"	SEE DRAWING	100 LBS.
JMPR-18	18"	38"	SEE DRAWING	120 LBS.
JMPR-24	24"	38"	SEE DRAWING	150 LBS.
JMPR-36	36"	38"	SEE DRAWING	190 LBS.

**DESCRIPTION:**

Modular spreader for heavy duty gas equipment. To be model #JMPR \_\_\_\_\_ manufactured by Range. Spreader to have 14 gauge all welded steel construction, stainless steel top, front, sides and stub back. Unit to have 6" stainless steel adjustable legs.

**SPECIFY TYPE OF GAS WHEN ORDERING.**

**SPECIFY ALTITUDE WHEN ABOVE 2,000 ft.**

**UTILITY INFORMATION (GAS):**

- Ranges are supplied with 1-1/4" front manifold connection and a 1" or 3/4" capped rear manifold connection. For rear manifold connection, remove cap. Ranges are supplied with 3/4" gas pressure regulator. For 1-1/4" or 1" gas pressure regulator, see accessories. (Specify required front manifold cap and cover when ordering.)
- Required operating pressure:  
 Natural Gas 5" W.C. minimum  
 Propane Gas 10" W.C. minimum  
 14" W.C. maximum

**Note:** This unit must be connected with the gas appliance regulator supplied.