

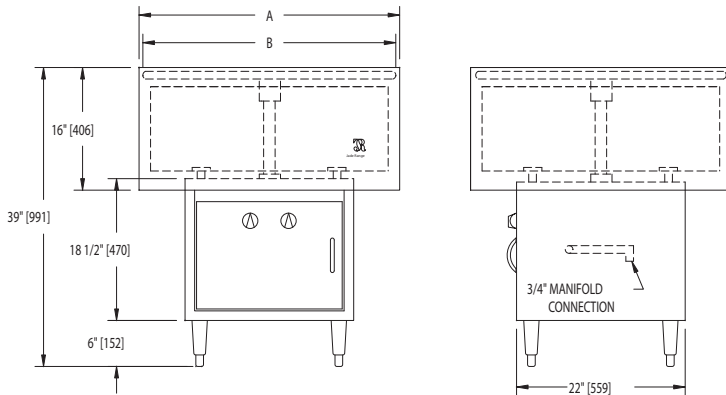


ROTATING TORTILLA GRIDDLE

TITAN ROTATING TORTILLA GRIDDLE



JTRG-34



MODEL NO.	DESCRIPTION
<input type="checkbox"/> JTRG-34	34" TORTILLA GRIDDLE
<input type="checkbox"/> JTRG-34G	34" TORTILLA GRIDDLE WITH GUTTER
<input type="checkbox"/> JTRG-48	48" TORTILLA GRIDDLE
<input type="checkbox"/> JTRG-48G	48" TORTILLA GRIDDLE WITH GUTTER

STANDARD FEATURES

- Stainless steel outer shroud
- Stainless steel base cabinet
- Sturdy base body constructed of 1" square stainless steel tubing
- Adjustable feet
- Top quality, state-of-the-art motor controls
- Adjustable, variable speeds as low as 3 rpm
- Comes complete with six foot, 3-prong power cord, 115/60/1, 10.0 amps
- All panels removable for cleaning
- Burners can be removed through hatch cover in burner box
- Outer stainless shroud can be lowered or removed easily
- Pilot easily accessible for lighting and viewing through slot in front of shroud (aided by electric spark ignitor)
- Gas controls complete with 100% safety valve and approved regulator
- Burner control valves easily accessible
- Comes equipped with special shaft adjusting tool
- Controls have "Power On" switch, "Power On" light and "Motor On" light with built-in fuses
- 5/8" thick round steel plate
- Heavy ball bearing housings at top and bottom of drive shaft
- 3/4" gas regulator

ACCESSORIES

- 4" casters, front two locking (3" diameter wheel)
- 36" flex hose with quick disconnect and restraining device
- 48" flex hose with quick disconnect and restraining device

At Jade Range, our commitment is to anticipate the needs of the ever-changing food service industry and provide for those needs in the most productive and technically advanced ways.

Innovative and practical, the new Jade Range Rotating Tortilla Griddle comes out of the kitchen to add the special flair to south of the border and Tex-Mex style restaurant.

Safety, efficiency and ease of maintenance are hall marks of all Jade Range products. This appliance upholds the dedication to quality with many safety features above and beyond standard items.

MODEL	O.A. DIAMETER (A)	PLATE DIAMETER (B)	BTUS
JTRG-34	34"	33"	50,000
JTRG-34G	53"	33"	50,000
JTRG-48	48"	47"	50,000
JTRG-48G	67"	47"	100,000



WWW.JADERANGE.COM

JADE RANGE, LLC., A MIDDLEBY COMPANY • 2650 Orbiter Street • Brea, CA 92821 • PHONE: 800-884-5233 FAX: 714-961-2550
 Note: In line with their policy to continually improve products, Jade reserves the right to change materials and specifications without notice. PRINTED IN USA

