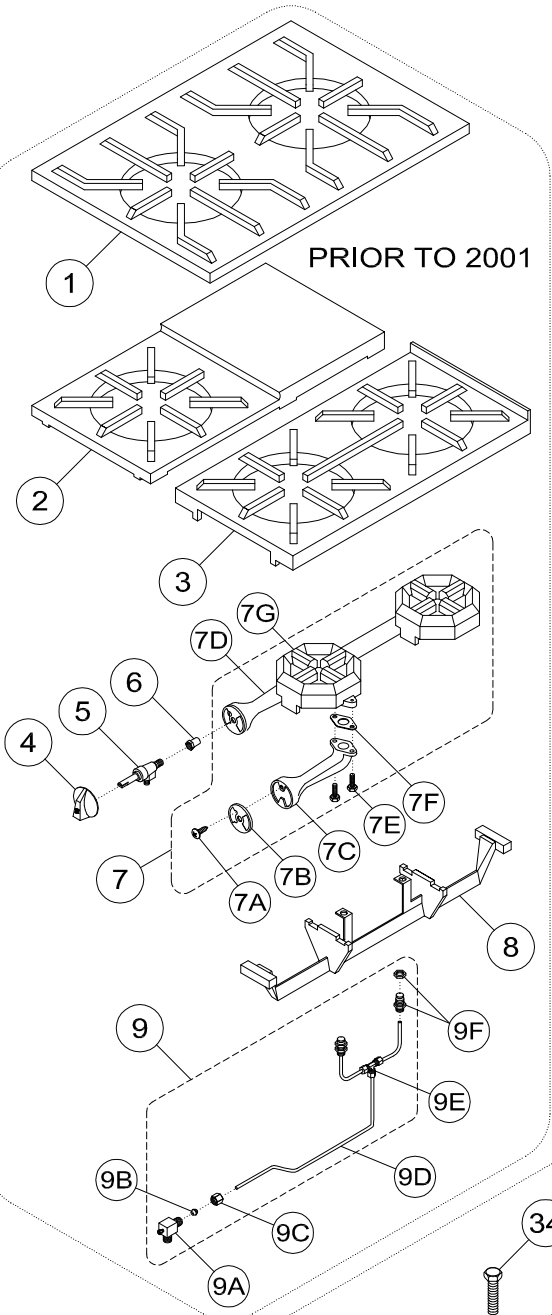


# TITAN RANGE - JTRH OPEN BURNER SECTION

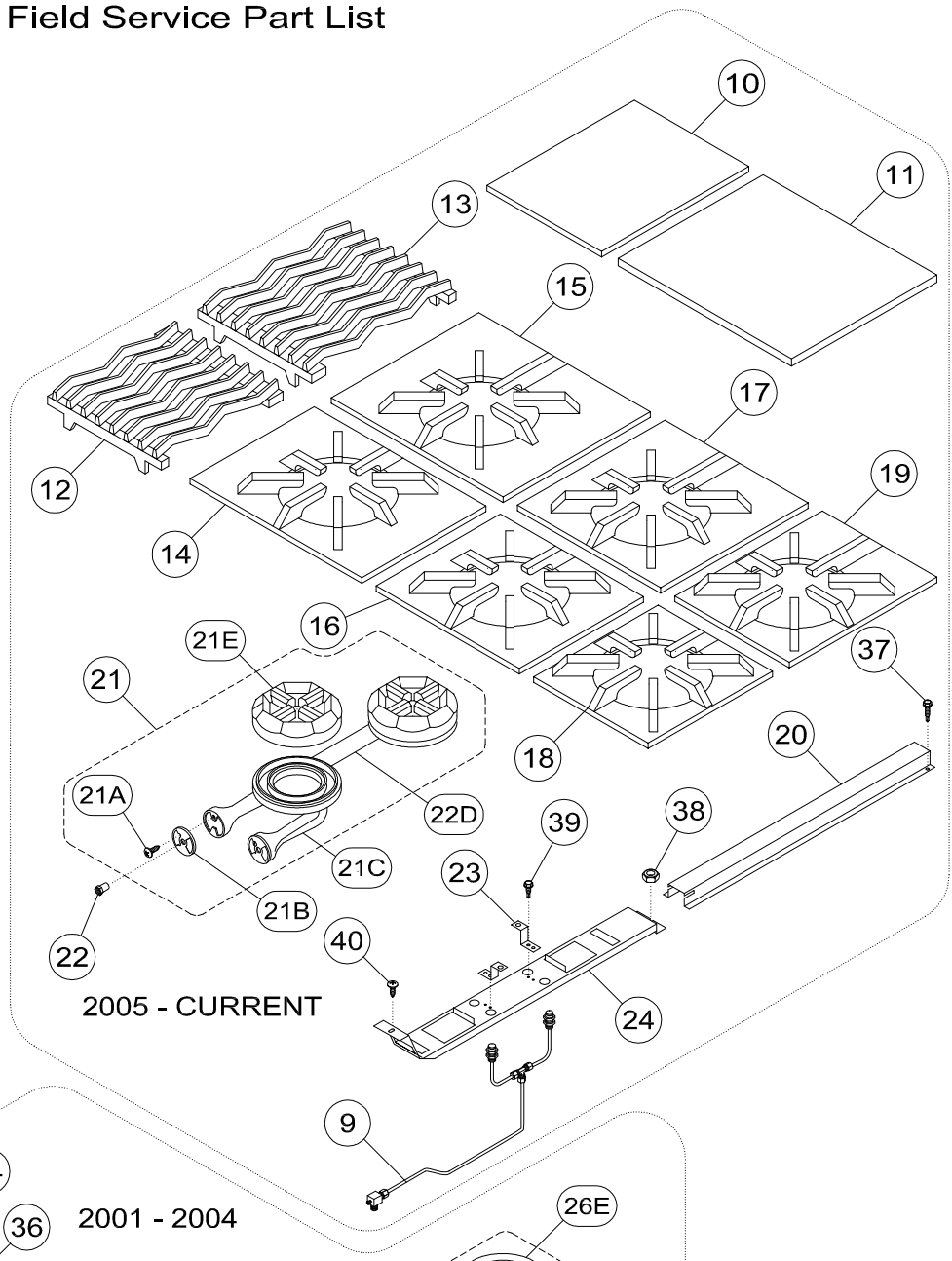
Jade Range

Field Service Part List

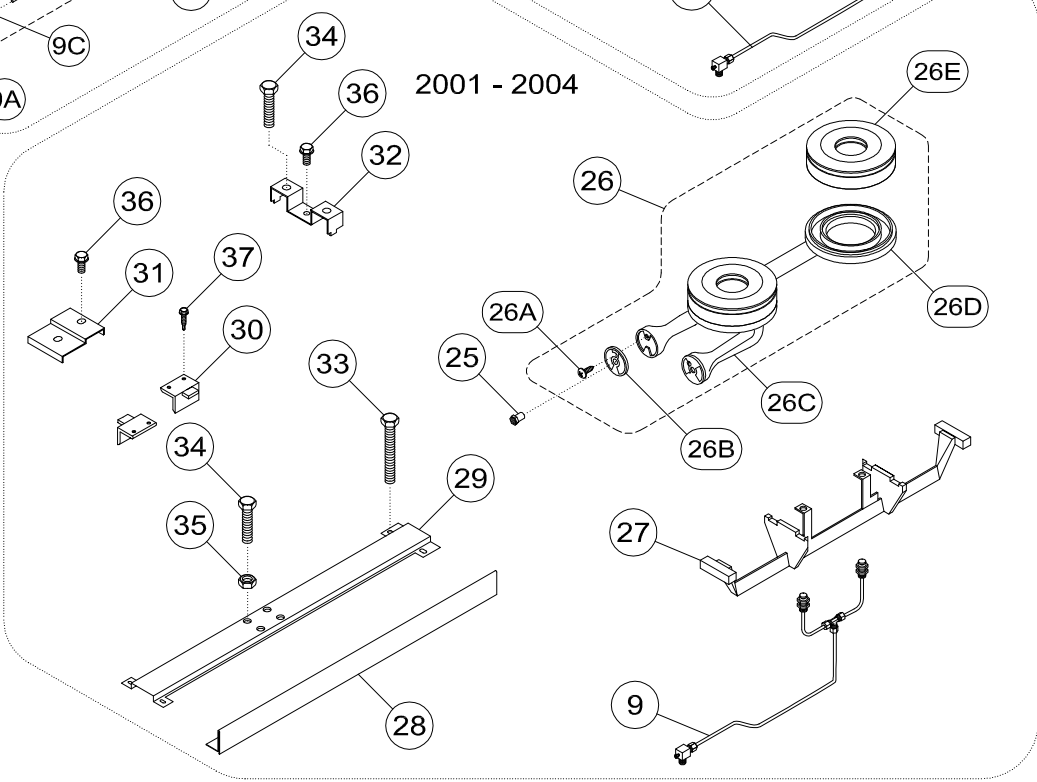
PRIOR TO 2001



2005 - CURRENT



2001 - 2004



## TITAN RANGE JTRH - OPEN BURNER SECTION

ITEM	DESCRIPTION	PART #	LIST
1	GRATE, TOP 18" x 28" (STEEL - USE UNTIL 1999)	6012100100	
2	SPLIT TOP GRATE (CAST IRON)	1010600000	
3	GRATE, TOP 12" x 28" (CAST IRON)	1010500100	
4	KNOB, CHROME (WITH SET SCREW)	3023100200	
5	VALVE, BURNER (WITH OUT ORIFICE)	4418500100	
6	ORIFICE #44 NAT. (OLD STYLE)	4621500000	
	ORIFICE #55 L.P. (OLD STYLE)	4621100000	
7	<b>BURNER FRONT ASSY (920/906 - OLD STYLE)</b>	<b>8492300000</b>	
A	SCREW, AIR SHUTTER (10-24 x 3/8)	3454000000	
B	AIR SHUTTER (OLD STYLE)	3012600000	
C	VENTURI, FRONT #906 (OLD STYLE)	1014000000	
E	BOLT, 1/4-20 x 3/4 HCS ZN	3423100000	
F	GASKET #915/920 (OLD STYLE)	3022600100	
G	BURNER HEAD, HEX #920 - HEAD ONLY (OLD STYLE)	1013500000	
	<b>BURNER REAR ASSY (920/919 - OLD STYLE)</b>	<b>8492500000</b>	
A	SCREW, AIR SHUTTER (10-24 x 3/8)	3454000000	
B	AIR SHUTTER (OLD STYLE)	3012600000	
D	VENTURI, REAR #919 (OLD STYLE)	1014500000	
E	BOLT, 1/4-20 x 3/4 HCS ZN	3423100000	
F	GASKET #915/920 (OLD STYLE)	3022600100	
G	BURNER HEAD, HEX #920 - HEAD ONLY (OLD STYLE)	1013500000	
8	HANGER, BURNER (CAST IRON)	1012800000	
9	<b>PILOT TUBING ASSY</b>	<b>4635900000</b>	
A	VALVE, SINGLE PILOT #6001-04A	4412800000	
B	SLEEVE (FERRULE) 1/4" COMP. EA.	1832200000	
C	NUT 1/4" COMP. EA.	1830700000	
D	TUBING, 1/4" x .028 RIGID S/S (SOLD BY THE INCH)	5612600000	
E	TEE, BRASS (1/4" x 1/4" x 1/4" COMP.)	1823100000	
F	PILOT, TIP SS W/NUT	4611200000	
10	HALF HOT TOP, 11.937 x 15.125 (REAR ONLY) 12" SECTION	3000011253	
11	HALF HOT TOP, 17.937 x 15.125 (REAR ONLY) 18" SECTION	3000011254	
12	S - GRATE, CASTING, SMALL (FRONT)	3000010830	
13	S - GRATE, CASTING, LARGE (REAR)	3000010831	
14	GRATE, TOP FRONT 17 3/4 x 12 3/4 (STEEL) 18" SECTION	1030500000	
15	GRATE, TOP REAR 17 3/4 x 15 1/8 (STEEL) 18" SECTION	1030400000	
16	GRATE, TOP FRONT 14 3/4 x 12 3/4 (STEEL) 15" SECTION	1030300000	
17	GRATE, TOP REAR 14 3/4 x 15 1/8 (STEEL) 15" SECTION	1030200000	
18	GRATE, FRONT - WELD ASSY (STEEL) 12" SECTION	1030100000	
19	GRATE, REAR - WELD ASSY (STEEL) 12" SECTION	1030000000	
20	TOP GRATE SUPPORT	2100004502	
21	<b>BURNER FRONT ASSY (35,000 BTU - REMOVABLE OCTAGON HEAD)</b>	<b>3000010835</b>	
A	SCREW, AIR SHUTTER 10-24 x 3/8 RD SL ZN	3454000000	
B	AIR SHUTTER (REMOVABLE, OCTAGON HEAD)	3012600000	
C	VENTURI BASE, FRONT (REMOVABLE, OCTAGON HEAD)	2100000251	
E	BURNER HEAD (REMOVABLE, OCTAGON HEAD)	2100000250	
	<b>BURNER REAR ASSY (35,000 BTU - REMOVABLE OCTAGON HEAD)</b>	<b>3000010836</b>	
A	SCREW, AIR SHUTTER 10-24 x 3/8 RD SL ZN	3454000000	
B	AIR SHUTTER (REMOVABLE, OCTAGON HEAD)	3012600000	
D	VENTURI BASE, REAR (REMOVABLE, OCTAGON HEAD)	2100000252	
E	BURNER HEAD (REMOVABLE, OCTAGON HEAD)	2100000250	
22	ORIFICE #39 NAT. (REMOVABLE, OCTAGON HEAD)	4620800000	
	ORIFICE #51 L.P. (REMOVABLE, OCTAGON HEAD)	4624500000	

*Continue next page*

## TITAN RANGE JTRH - OPEN BURNER SECTION

ITEM	DESCRIPTION	PART #	LIST
23	BRACKET, PILOT	2100000253	
24	HANGER, BURNER JTRH (SHEET METAL)	2100004501	
25	ORIFICE #37 NAT. (REMOVABLE, DONUT HEAD)	4624300000	
	ORIFICE #50 L.P. (REMOVABLE, DONUT HEAD)	4611900000	
26	<b>BURNER FRONT ASSY (REMOVABLE DONUT HEAD)</b>	<b>2500128430</b>	
A	SCREW, AIR SHUTTER 10-24 x 3/8 RD SL ZN	3454000000	
B	AIR SHUTTER, JTRH/JMRH (REMOVABLE, DONUT HEAD)	3072600000	
C	VENTURI BASE, FRONT (REMOVABLE, DONUT HEAD)	1019900000	
E	CAST IRON BURNER HEAD (REMOVABLE, DONUT HEAD)	1020300000	
	<b>BURNER REAR ASSY (REMOVABLE DONUT HEAD)</b>	<b>2500128431</b>	
A	SCREW, AIR SHUTTER 10-24 x 3/8 RD SL ZN	3454000000	
B	AIR SHUTTER, JTRH/JMRH (REMOVABLE, DONUT HEAD)	3072600000	
D	VENTURI BASE, REAR (REMOVABLE, DONUT HEAD)	1020400000	
E	CAST IRON BURNER HEAD (REMOVABLE, DONUT HEAD)	1020300000	
27	HANGER, BURNER WITH 45° CUT (CAST IRON)	1019800000	
28	SIDE TRIM, OPEN TOP BURNER	1394500200	
29	SUPPORT, TOP GRATE ASSY	8542130090	
30	BRACKET, SUPPORT GRATES WELD ASSY	2500010613	
31	BRACKET, BURNER REST, REAR (OPEN TOP)	1330200000	
32	BRACKET, FOR GRATE SUPPORT, REAR ("M" BRACKET)	1355500090	
33	BOLT, 3/8-16 x 2 1/2 ZN AL/THD	3480000000	
34	LEVELING BOLT, 3/8-16 x 1 1/2 ZN. AL/THD	3448100000	
35	NUT, 3/8-16 HX ZN	3426900000	
36	SCREW, 1/4-20 x 1/2 HWH SERR ZINC	3463700000	
37	SCREW, #10 x 3/4 HWH DRL ZN	3459300000	
38	NUT, 1/4-20 HX ZN HV DUTY	3443100000	
39	SCREW, #10 x 1/2, HX ZN TR	3412300000	
40	SCREW, #10 x 1/2, TR PH ZN	3428000000	

3000011900

01.22.2010