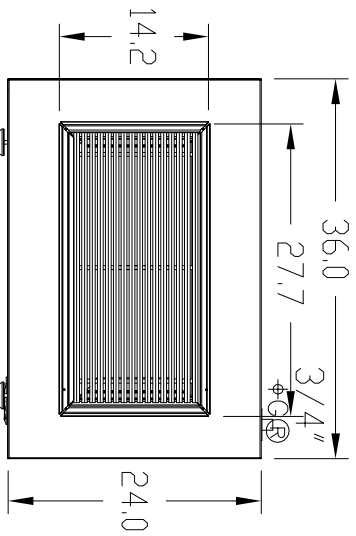
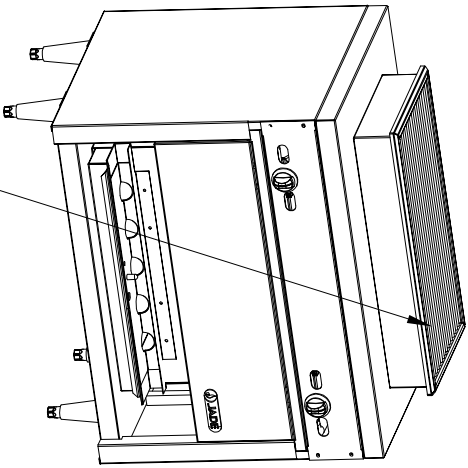


THIS DRAWING IS THE PROPERTY OF JADE RANGE LLC. NO PART OF THIS DOCUMENT MAY BE COPIED OR USED WITHOUT THE WRITTEN PERMISSION. THIS DRAWING IS A CONCEPTUAL LAYOUT. SUBJECT TO CHANGES AS THE FINAL MANUFACTURING PARTS ARE CREATED.

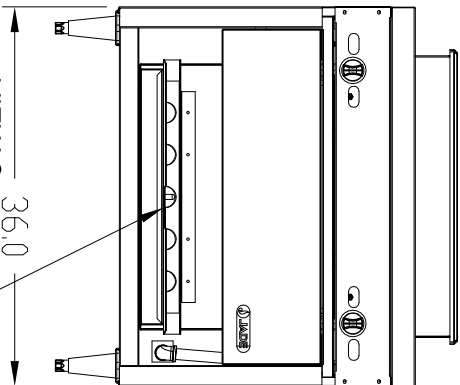
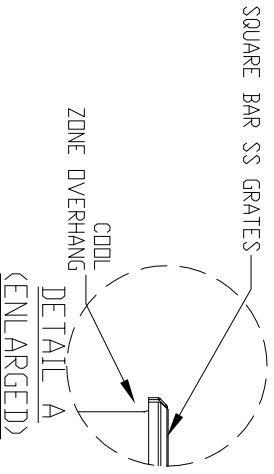
ITEM#	QTY.	MODEL	DESCRIPTION	BTU/UNIT	AMP.
A	1	ROBATTIA_36X24	ROBATTIA, UNDER FIRED INFRARED BROILER	70,000	N/A

REV.	DESCRIPTION	EN.	BY	DATE	APPROVED
A	INITIAL RELEASE	XXX	SMW	07/26/11	

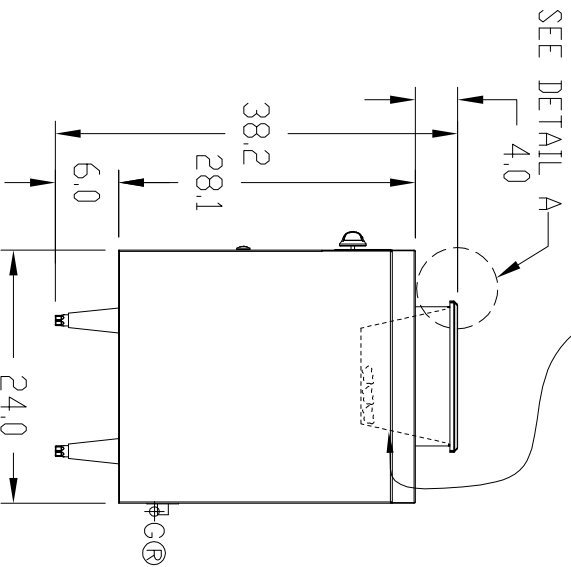
CHANGES TO DRAWING MAY RESULT IN CHANGES TO DELIVERY DATE & COST



VIEW B  
VIEW C  
VIEW D



VIEW C

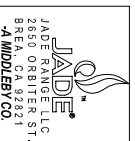


VIEW D

**REMOVABLE  
STAINLESS STEEL  
WOOD BRIQUETTE  
BASKET  
-FOR SMOKE  
FLAVOR**

1.  $\phi$  3/4" GAS REGULATOR & GAS CONNECTION
2. GAS SHUT-OFF VALVES AND CONNECTIONS SUPPLIED BY OTHERS.
3. ALL ELECTRICAL WORK (INSTALLATIONS AND CONNECTIONS) MUST BE PROVIDED BY OTHERS (BY CERTIFIED ELECTRICIAN)

GAS TYPE:	
ELEVATION:	
TO BE SPECIFIED BEFORE MFG.	



UNLESS OTHERWISE NOTED DIMENSIONS ARE IN INCHES AND TOLERANCES: X.XX±0.03 XXX±0.015 ANGLES ±1°

DRAWN	SMW	07/26/11	FOR	ROBATTIA 36X24
CHECKED			SIZE	DWG NO
APPROVED			B	11185A
			SCALE	0.037
			SHEET	1 OF 1