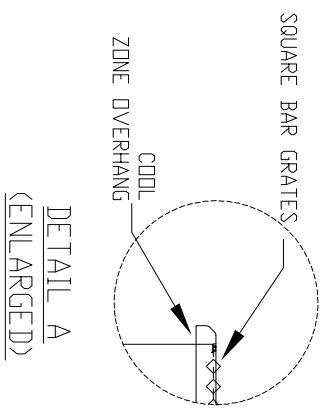
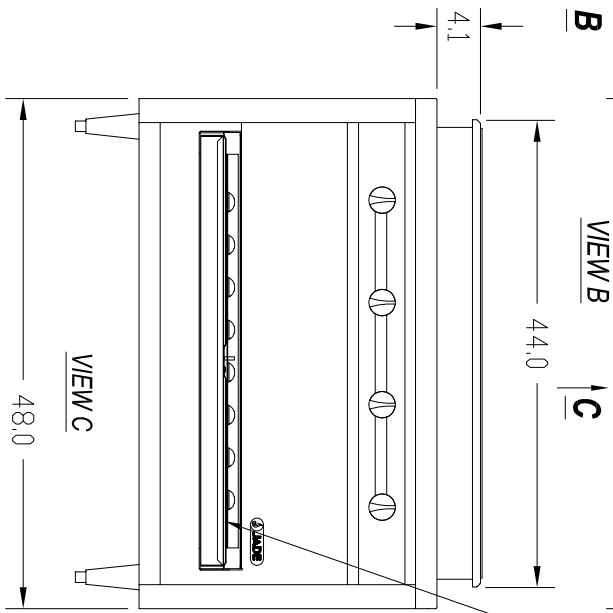
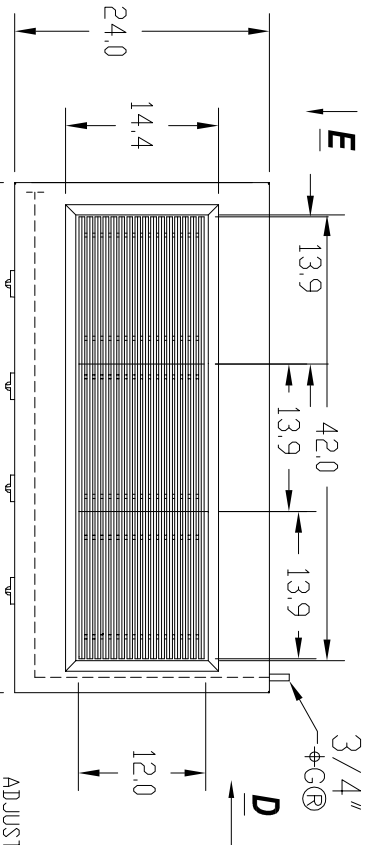
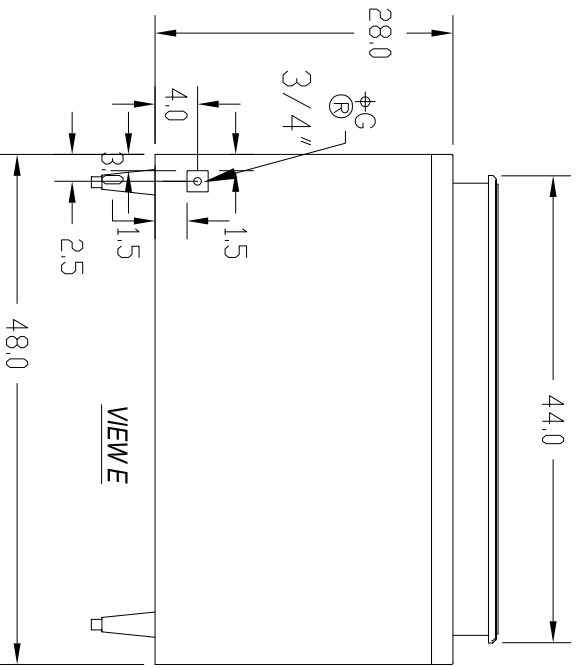
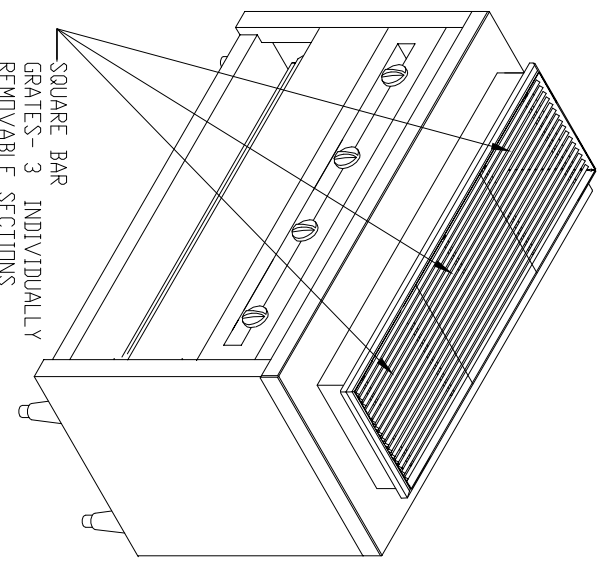


THIS DRAWING IS THE PROPERTY OF JADE PRODUCTS CO. NO PART OF THIS DOCUMENT MAY BE COPIED OR USED WITHOUT THE WRITTEN PERMISSION OF JADE PRODUCTS CO.

GAS TYPE:	
ELEVATION:	
TO BE SPECIFIED BEFORE MFG.	

REVISIONS		REV	DESCRIPTION	EN	BY	DATE	APPROVED
		A	INITIAL RELEASE	XX	SMW	04.15.08	

QTY.	MODEL	DESCRIPTION	BTU/UNIT	AMP.
1	ROBATA 48	ROBATA, INFRARED BROILER	115,000	N/A



NOTES:

1. ϕ G GAS CONNECTION
 2. \oplus REGULATOR
- GAS SHUT-OFF VALVES AND CONNECTIONS SUPPLIED BY OTHERS

Jade Products Company
2650 Driveter St
Brea, CA 92821

UNLESS OTHERWISE NOTED DIMENSIONS ARE IN INCHES AND TOLERANCES: XX±.03 XXX±.015, ANGLES ±1°

MATERIAL	DRAWN	SMW	04.15.08	FDR	SIZE	DWG NO	for
FINISH	CHECKED				A		08062A
	APPROVED				SCALE	0.060	SHEET 1 OF 1

DESC: ROBATA 48