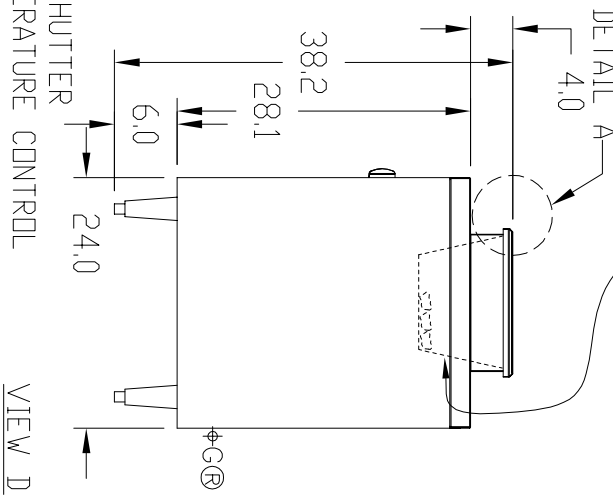
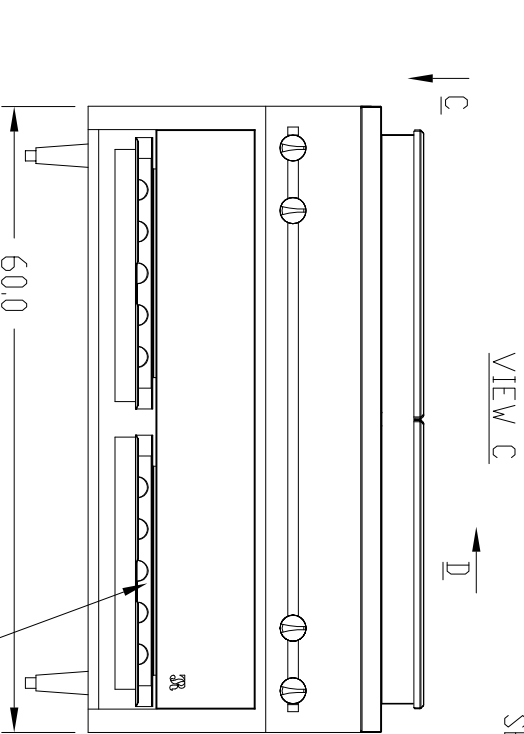
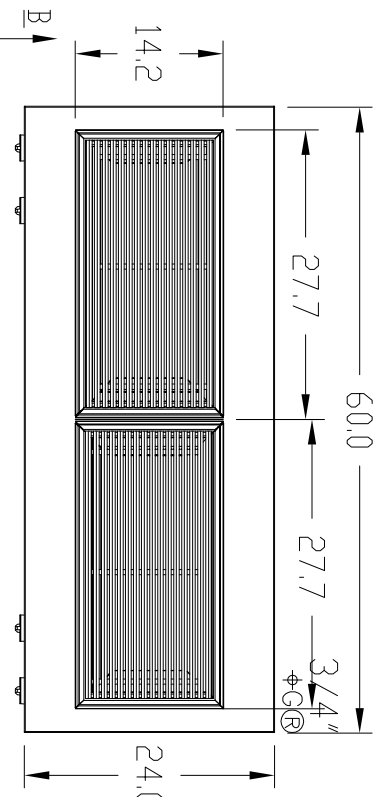
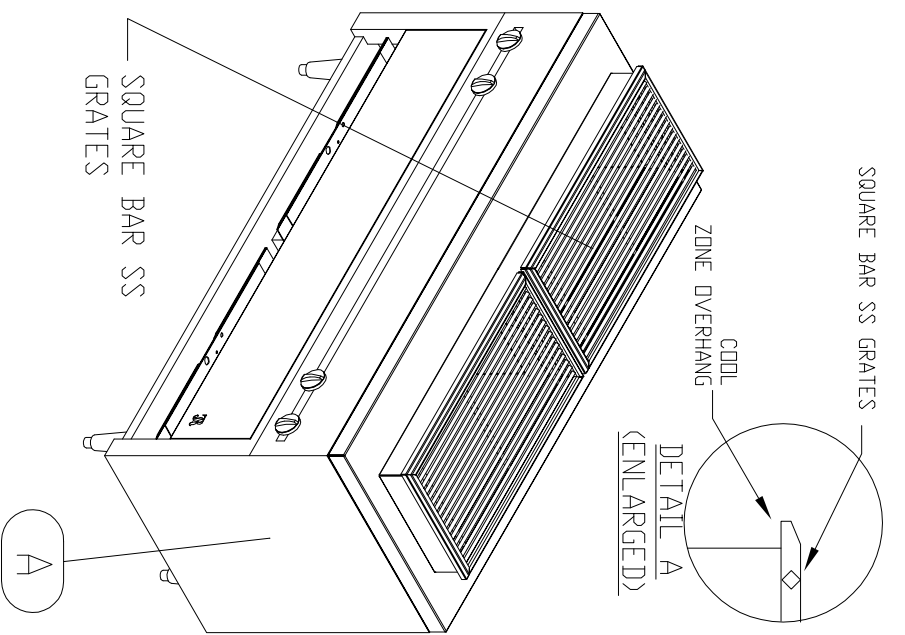


THIS DRAWING IS THE PROPERTY OF JADE RANGE LLC. NO PART OF THIS DOCUMENT MAY BE COPIED OR USED WITHOUT THE WRITTEN PERMISSION.
 THIS DRAWING IS A CONCEPTUAL LAYOUT, SUBJECT TO CHANGES AS THE FINAL MANUFACTURING PARTS ARE CREATED.

ITEM#	QTY.	MODEL	DESCRIPTION	BTU/UNIT	AMP.
A	1	ROBATA 60X24	ROBATA, UNDER FIRED INFRARED BROILER	140,000	N/A

REVISIONS					
REV	DESCRIPTION	EN	BY	DATE	APPROVED
A	INITIAL RELEASE	XXX	SMW	07/05/11	
CHANGES TO DRAWING MAY RESULT IN CHANGES TO DELIVERY DATE & COST					



1. ϕ 3/4" GAS REGULATOR & GAS CONNECTION SUPPLIED BY OTHERS.
2. GAS SHUT-OFF VALVES AND CONNECTIONS SUPPLIED BY OTHERS.
3. ALL ELECTRICAL WORK (INSTALLATIONS AND CONNECTIONS) MUST BE PROVIDED BY OTHERS (BY CERTIFIED ELECTRICIAN)

GAS TYPE:	
ELEVATION:	
TO BE SPECIFIED BEFORE MFG.	

UNLESS OTHERWISE NOTED DIMENSIONS ARE IN INCHES AND TOLERANCES: XX.125 XX.403 XXX.015 ANGLES .#1*

DRAWN	SMW	07/05/11	FJR	for	ROBATA 60X24
CHECKED				SIZE	DWG NO
APPROVED				B	11024A
SCALE			SHEET 1 OF 1		

JADE RANGE LLC
2650 ORIENTER ST.
A. Middleby CO.