

MODEL	DESCRIPTION
JTPC-16	16" PASTA COOKER
JTPC-18	18" PASTA COOKER
JTPC-24	24" PASTA COOKER

STANDARD FEATURES

- Stainless steel construction.
- 12 gauge 316 stainless steel removable water tank.
- 11-gallon water capacity.
- Stainless steel 6" plate shelf.
- Stainless steel cabinet interior and exterior.
- Stainless steel adjustable 6" legs.
- Stainless steel access door.
- Insulated wall panels.
- Seamless stainless steel baskets with perforated holes.
- Multiple basket size configurations.
- Piezo Igniter
- Automatic pilot.
- Dual burner gas chamber.
- 40,000 BTU/hr per burner.
- Infinite control manual gas valve.
- Top mount water dispenser.
- 1" Gas connection
- 1" Water Drain
- 3/4" Water inlet

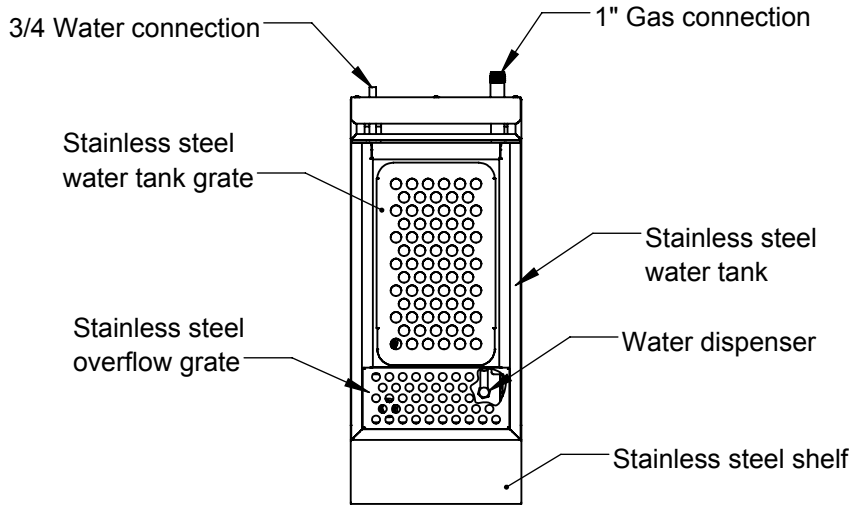
THE INFORMATION CONTAINED IN THIS DRAWING IS THE PROPERTY OF



JADE RANGE, LLC
2650 ORBITER ST BREA, CA 92821

DESC.

PASTA COOKER SPEC SHEET



Model	JTPC-16	JTPC-18	JTPC-24
Width	16"	18"	24"
Depth	38"	38"	38"
Height	42"	42"	42"
Tank Dimensions	12" W x 20" D x 12" H	12" W x 20" D x 12" H	TBA
Tank Volume	11 gallons	11 gallons	TBA
Natural Gas Connection	1" pipe	1" pipe	1" pipe
Gas Regulator	1" Regulator	1" Regulator	1" Regulator
Gas Pressure	5" W.C Minimum	5" W.C Minimum	5" W.C Minimum
BTUs/hr	80,000	80,000	120,000
Water Connection	3/4 NPT	3/4 NPT	3/4 NPT
Water Drain	1" NPT	1" NPT	1" NPT
Net Weight			
Appx. Shipping W.			

