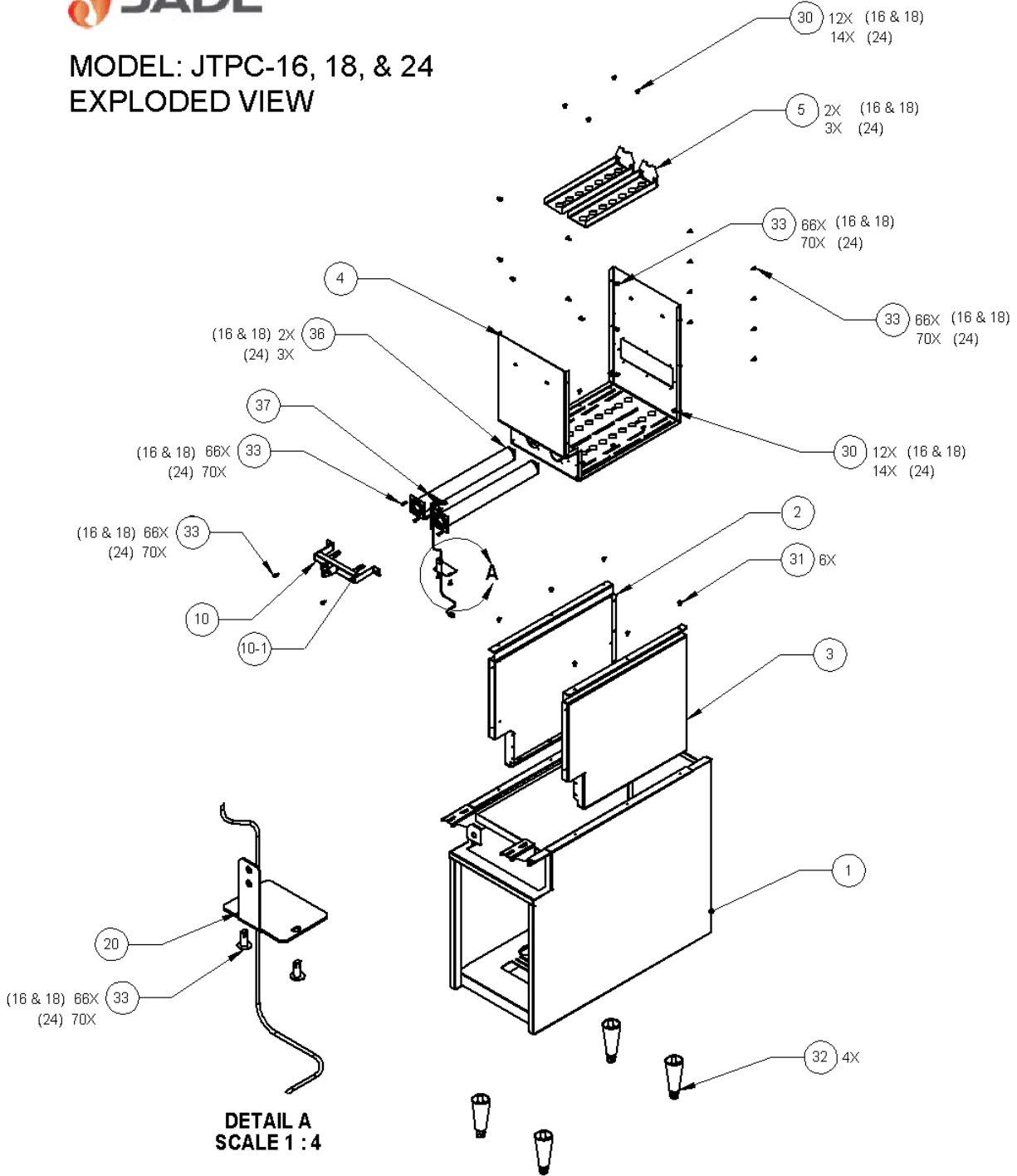


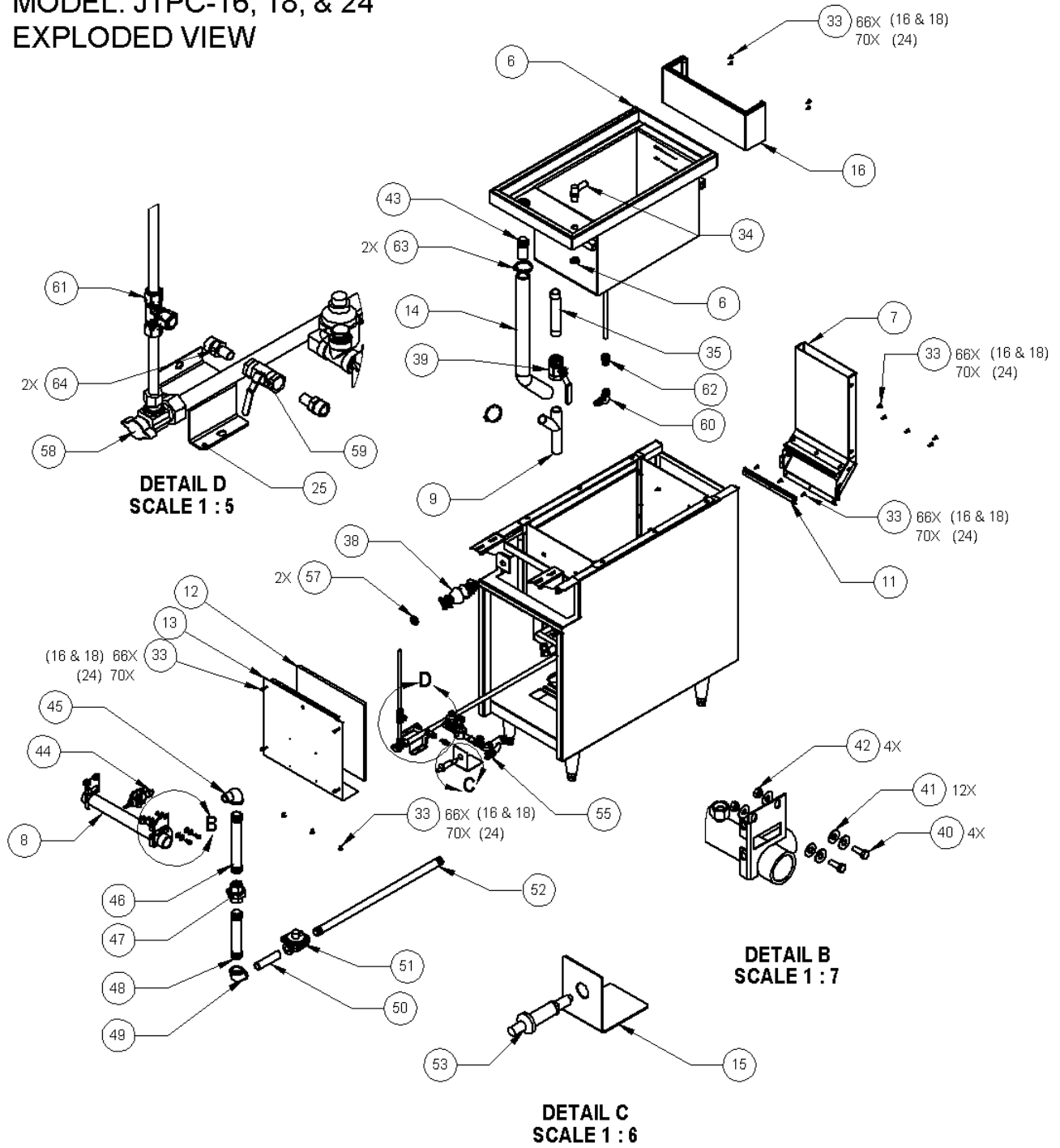


MODEL: JTPC-16, 18, & 24
EXPLODED VIEW



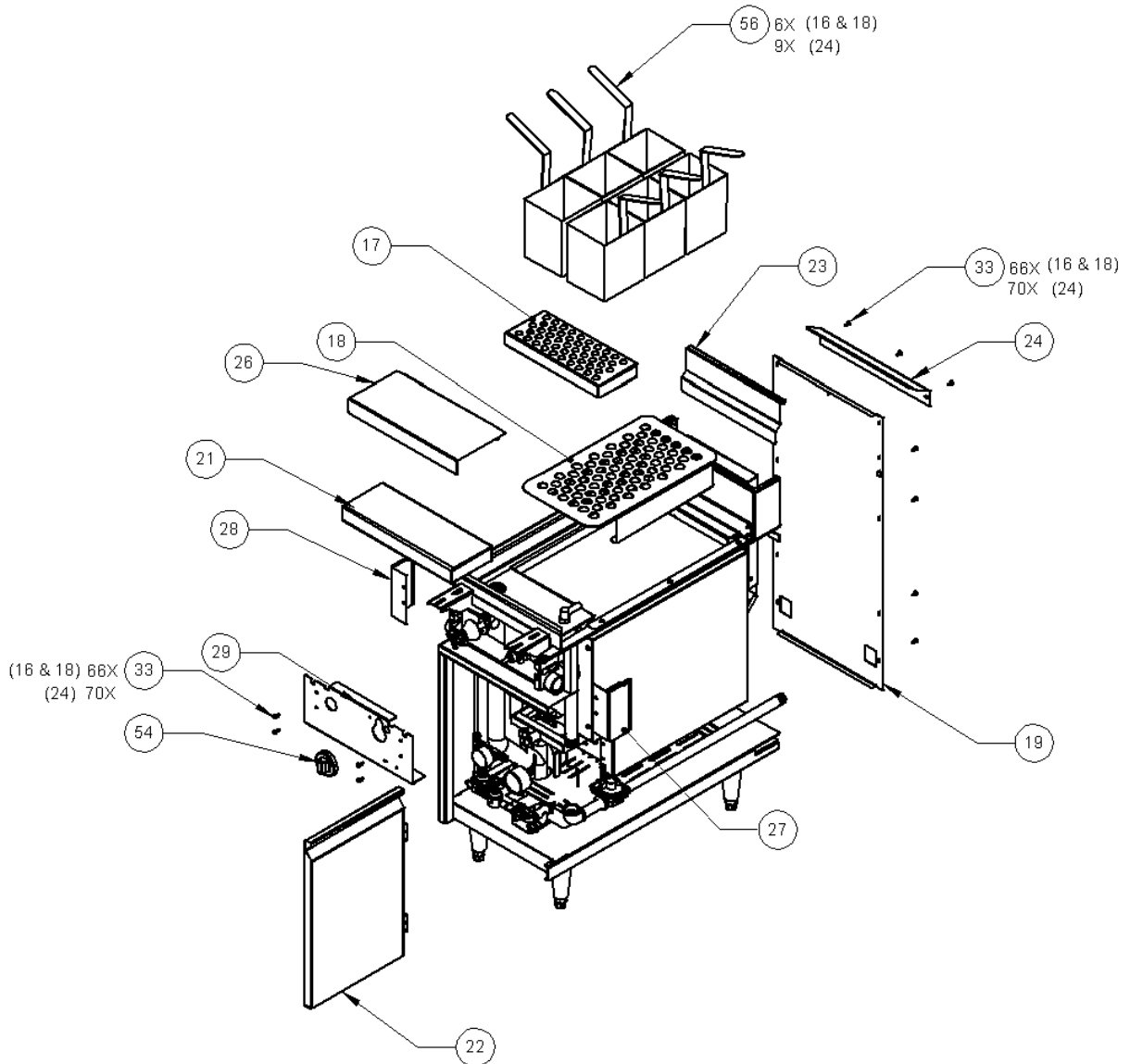


MODEL: JTPC-16, 18, & 24
EXPLODED VIEW

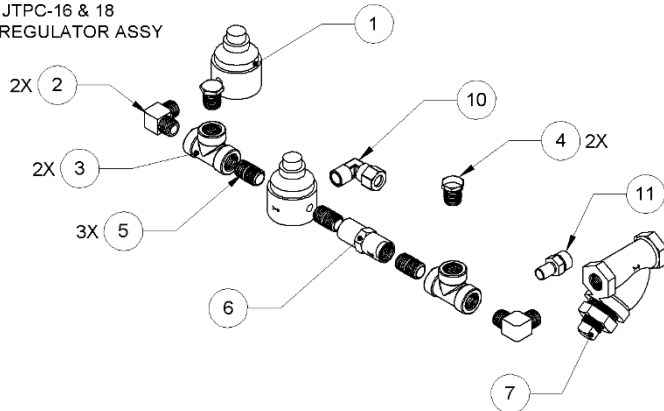




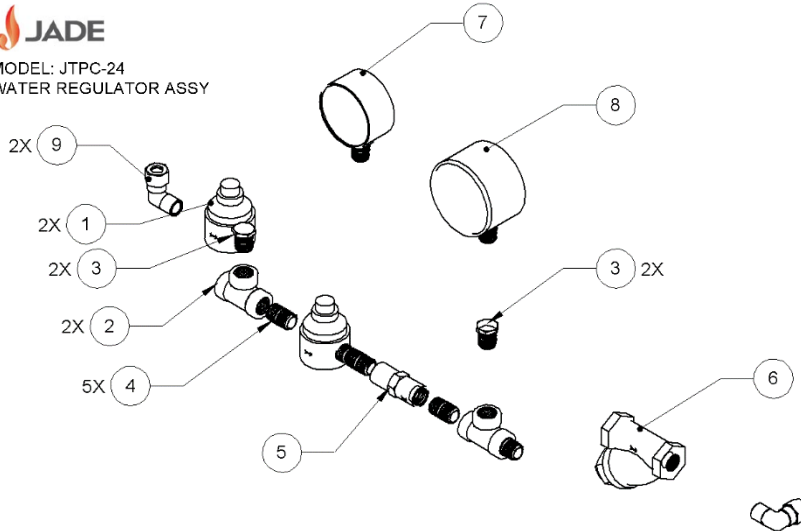
MODEL: JTPC-16, 18, & 24
EXPLODED VIEW



ITEM NO.	DESCRIPTION	MODEL: JTPC-16	MODEL: JTPC-18	QTY. 16/18	MODEL: JTPC-24	QTY. 24
		PartNo	PartNo		PartNo	
1	FRAME W/A, JTPC	2500140184	2500140185	1	2500140186	1
2	PANEL, L/F INSULATED JTPC	2500140188	2500140188	1	2500140188	1
3	PANEL, R/H INSULATED JTPC	2500140187	2500140187	1	2500140187	1
4	FIRE BOX ASSY, JTPC	2500140189	2500140189	1	2500140190	1
5	HOUSING BURNER ASSY, JTPC	2500140196	2500140196	2	2500140196	3
6	WATER TANK W/A, JTPC	2500140191	2500140192	1	2500140193	1
7	FLUE CHIMNEY, JTPC	2500140194	2500140194	1	2500140195	1
8	MANIFOLD TOP W/A, JTPC	2500140200	2500140198	1	2500140199	1
9	DRAIN-Y, JTPC	2500140217	2500140217	1	2500140217	1
10	MANIFOLD BTTM ASSY, JTPC	2500140214	2500140214	1	2500140263	1
10-1	ORIFICE, HOOD #30	4617800000	4617800000	2	4617800000	3
11	FLUE OFFSET, JTPC	2100046769	2100046769	1	2100046769	1
12	INSULATION WATER TANK	2100046746	2100046746	1	2100046746	1
13	RETAINER, INSULATION	2100046744	2100046744	1	2100046744	1
14	RUBBER HOSE HIGH TEMP 1 1/4 ID. JTPC	2100046793	2100046793	1	2100046793	1
15	BRACKET, IGNATOR JTPC NEW	2100064957	2100064957	1	2100064957	2
16	STUB BACK, JTPC	2100046762	2100046763	1	2100046762	1
17	COVER, DRAIN, JTPC	2100046759	2100046759	1	2100046760	1
18	GRATE BASKET, JTPC	2100046773	2100046773	1	2100046774	1
19	REAR PANEL, JTPC	2100046755	2100046756	1	2100046755	1
20	PILOT BRACKET, JTPC	2100046709	2100046709	1	2100046709	2
21	PLATE SHELF W/A, JTRH	2500127477	2500127479	1	2500127479	1
22	DOOR ASSEMBLY, JTPC	2500140219	2500140220	1	2500140221	1
23	WATER SPLASH, JTPC	2100046796	2100046796	1	2100046796	1
24	DEFLECTOR - JTRH	2100044251	9543810000	1	9543840000	1
25	BRACKET, WATER LINE JTPC	2100048963	2100048963	1	2100048963	1
26	CAP, PLATE SHELVE, JTPC	2100048964	2100048964	1	2100048966	1
27	END CAP, R/H JTPC	2100048967	2100048967	1	2100048967	1
28	END CAP, L/F JTPC	2100048968	2100048968	1	2100048968	1
29	FRONT PANEL, JTPC	2100046792	2100048970	1	2100046761	1
30	SCREW, 10-32 X .38 HWD F ZC	3000010602	3000010602	12	3000010602	14
31	SRW-#10-24X1/2" T(23)PH.WFR HD	PD020033	PD020034	6	PD020034	6
32	LEG, 6"	3012700000	3012700000	4	3012700000	4
33	SCREW, 10-24X1/2 PH TR HD F Z	3000012007	3000012007	68	3000012007	74
34	WATER DISPENSER, JTPC	3000013820	3000013820	1	3000013820	1
35	PIPE, 1"NPT, 316 S.S 7" L	3000013817	3000013817	1	3000013817	1
36	TUBULAR BURNER, 40K BTUS	3000013828	3000013828	2	3000013828	3
37	PILOT WING, LONG CERAMIC & 36" THERMOC ASSY	3000013903	3000013903	1	3000013903	2
38	CONCEALED S/S CNTRL VALVE	3000012782	3000012782	1	3000012782	1
39	VALVE, 1X1 FEMALE, CHROME-PLATED BRASS	3000013816	3000013816	1	3000013816	1
40	BOLT 1/4-20 X3/4 HX ZN	3423100000	3423100000	4	3423100000	4
41	WASHER, 1/4 ZC, PLAIN USS	3430100000	3430100000	12	3430100000	12
42	NUT, HEX 1/4 - 20 ZN	3426200000	3426200000	4	3426200000	4
43	NIPPLE 304 S.S 1 NPT X 3"	3000013822	3000013822	1	3000013822	1
44	VALVE, GAS	3000012410	3000012410	1	3000012410	2
45	ELBOW, ST, 1", 90 DEG	1824000000	1824000000	1	1824000000	1
46	MANIFOLD PIPE, JTPC	2100046772	2100046772	1	2100046772	1
47	UNION, 1" NPT	1816600000	1816600000	1	1816600000	1
48	MANIFOLD PIPE, JTPC	2100048972	2100048972	1	2100048972	1
49	ELBOW, REDUCING 1 X 3/4 90BLK	1843000000	1843000000	1	1843000000	1
50	NIPPLE, 3/4 X 4	1820900000	1820900000	1	1820900000	1
51	REGULATOR 3/4 NPT 5.0 IN W.C.	4613500000	4613500000	1	4613500000	1
52	TAIL PIPE 3/4, JTPC	2100046771	2100046771	1	2100046771	1
53	PIEZO IGNITOR	4612200000	4612200000	1	4612200000	2
54	KNOB 22/S VALVE	3000012395	3000012395	1	3000012395	2
55	WATER PRESSURE REG. ASSY, JTPC	2500140884	2500140884	1	2500140885	1
56	PASTA SQ BASKET	3000013891	3000013891	6	3000013891	9
57	NUT, 1/2 NPT BRASS	3000013829	3000013829	2	3000013829	2
58	VALVE, SHUT-OFF QUARTER TURN	3000013881	3000013881	1	3000013881	1
59	BALL VALVE BRASS 1/4 FEMALE X 1/4 FEMALE	3000013922	3000013922	1	3000013922	1
60	FITTING 1/2 X 3/8 CC	011360-000	011360-001	1	01136-001	1
61	TEE- FITTING 3/8 X 3/8 NPT	1831100000	1831100000	1	1381100000	1
62	FITTING COMPRESSION 1/2T 1/2P NPT	3000012789	3000012789	1	3000012789	1
63	HOSE CLAMP 2 1/4 O.D.	3000013911	3000013911	2	3000013911	2
64	ADAPTER, 3/8C X 1/4MPT	1832700000	1832700000	2	1832700000	2


 MODEL: JTPC-16 & 18
 WATER REGULATOR ASSY


ITEM NO.	MODEL: JTPC-16 & 18 PartNo	DESCRIPTION	QTY.
1	3000013539	WATER PRESSURE REGULATOR 0-60	2
2	3000013798	CONNECTOR, ELBOW, 1/4 NPT M, BRASS	2
3	3000013917	TEE CONNECTOR S.S. 1/4 NPT	2
4	3000013915	PLUG S.S. 1/4 NPT	2
5	3000013916	NIPPLE, CLOSE FULLY THREADED S.S. 1/4 NPT	3
6	3000013880	VALVE, BACKFLOW COMPACT 1/4 NPT	1
7	3000013919	STRAINER Y S.S. 1/4 NPT	1
8	3000013537	GAUGE, LOW PRESSURE 2 1/2"	1
9	3000013538	GAUGE, MULTIPURPOSE 1/4 NPT	1
10	1832600000	ELBOW, 3/8C X 1/4 MPT 90 DEG	1
11	1832700000	ADAPTER, 3/8 C X 1/4 MPT	1


 MODEL: JTPC-24
 WATER REGULATOR ASSY


ITEM NO.	MODEL: JTPC-24 PartNo	DESCRIPTION	QTY.
1	3000013539	WATER PRESSURE REGULATOR 0-60	2
2	3000013917	TEE CONNECTOR S.S. 1/4 NPT	2
3	3000013915	PLUG S.S. 1/4 NPT	2
4	3000013916	NIPPLE, CLOSE FULLY THREADED S.S. 1/4 NPT	5
5	3000013880	VALVE, BACKFLOW COMPACT 1/4 NPT	1
6	3000013919	STRAINER Y S.S. 1/4 NPT	1
7	3000013537	GAUGE, LOW PRESSURE 2 1/2"	1
8	3000013538	GAUGE, MULTIPURPOSE 1/4 NPT	1
9	1832600000	ELBOW, 3/8C X 1/4 MPT 90 DEG	2