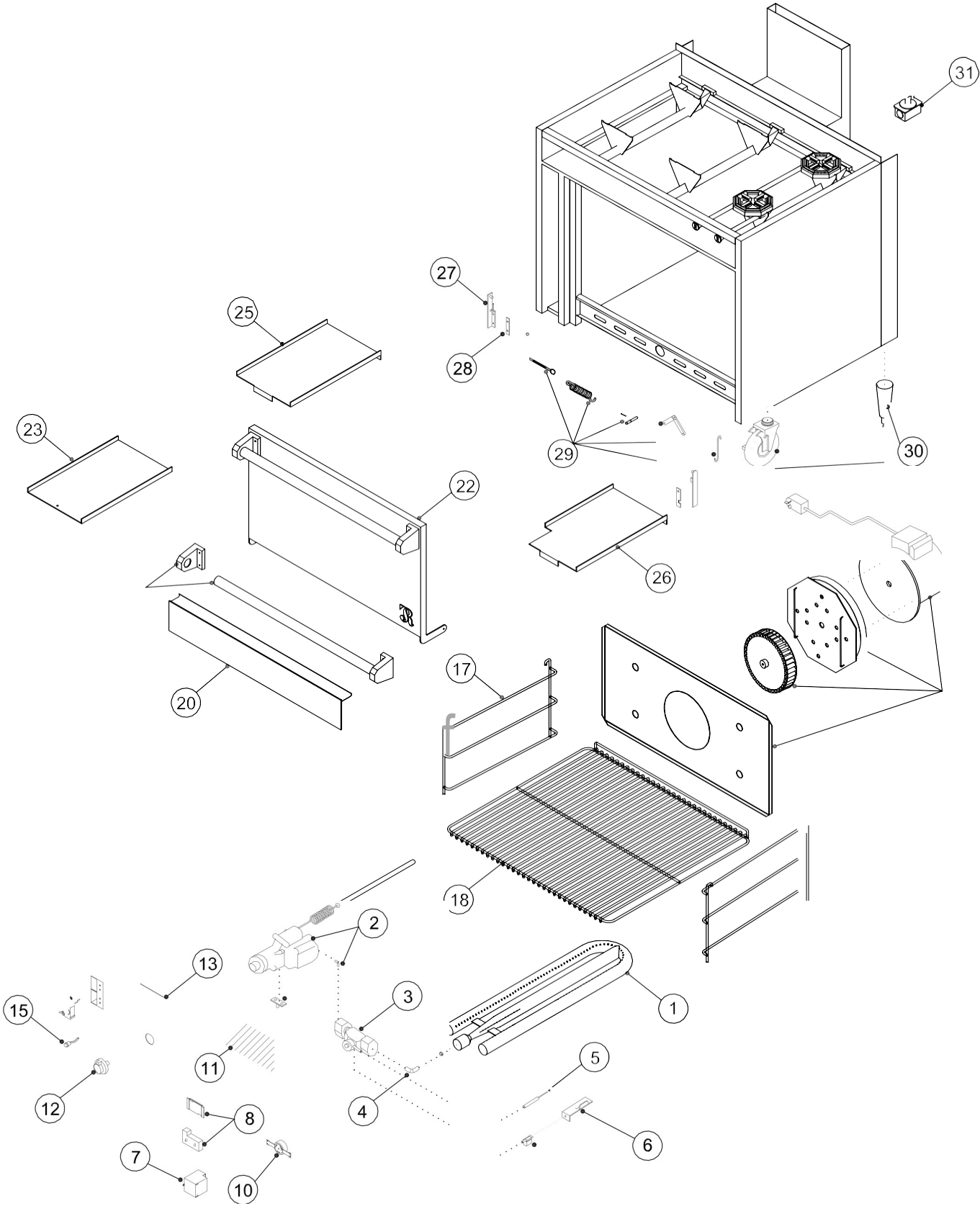


# BISTRO SERIES - JBR

## Bistro Range Convection Oven



**BISTRO JBR CONVECTION OVEN**

ITEM	DESCRIPTION	PART #	LIST
1	OVEN/GRIDDLE/HOT TOP BURNER ASSY ORIFICE ELBOW FOR OVEN BURNER COVER PLATE FOR OVEN BURNER	2500010873	
		1815700000	
		2100013988	
2	THERMOSTAT - BJWA OVEN MOUNTING FLANGE 3/8" X 1" S/S TUBING (SOLD PER FOOT) NUT 3/8" COMP. SLEEVE, (FERRULE) 3/8" COMP. ELBOW, 90 1/4" CC X 1/4" MNPT	4634700000	
		8284530000	
		5619500000	
		1833000000	
		1816900000	
		1815700000	
3	OVEN SAFETY VALVE ASSY W/ FITTINGS & MTG BRACKET (BASO) SAFETY VALVE, ROBERTSHAW TS-11	2500010513	
		3000013481	
4	ORIFICE, OVEN BURNER, FULL SIZE, #39 NAT ORIFICE, OVEN BURNER, FULL SIZE, #52 L.P.	4620800000	
		4621400000	
5	THERMOCOUPLE 12" (JBR-24) THERMOCOUPLE 18" (JBR-36) THERMOCOUPLE 18" (JBR-36C)	4621700000	
		4612600100	
		4620100000	
6	PILOT FOR STANDARD OVEN PILOT W/ ELECT & THERMO ASSY PILOT ORIFICE SPUD NAT #18 PILOT ORIFICE SPUD L.P. #10 PILOT BRACKET, OVEN, JBR 1/4" S/S TUBING X 30" NUT 1/4" COMP. SLEEVE (FERRULE) 1/4" COMP.	4616600100	
		3000013480	
		4617900000	
		4623700000	
		2100031042	
		3000011568	
		1830700000	
		1832200000	
7	IGNITION MODULE RI120FSB-1	3000014998	
8	SWITCH, MICRO DOOR MICRO SWITCH PLATE MICRO SWITCH COVER	3000011750	
		2035000000	
		2043500000	
9	RECEPTACLE, 110V, 15A, TWIST LOC	2034900000	
10	PLUG, TWIST LK RT/ANG, 120V, 15A	2034700000	
11	START CAPACITOR	3000011490	
12	DIAL STD. (TOP STAT) DIAL REVERSE (BOTTOM STAT) BEZEL (NOT SHOWN) STD. (TOP STAT) BEZEL (NOT SHOWN) REVERSE (BOTTOM STAT)	3018600000	
		3018500000	
		3013100000	
		3011600000	
13	OVEN CONTROL PANEL FOR STD OVEN OVEN CONTROL PANEL FOR CONV OVEN	2100013995	
		2100013996	
14	SWITCH, TOGGLE (ON-OFF) POWER RUBBER BOOT, TOGGLE SWITCH ROCKER SWITCH, WHITE (3-POSITION) HI-OFF-LOW ROCKER SWITCH, BLACK (DOUBLE CONVECTION) FAN	3000012003	
		2035400000	
		2035600000	
		2035500000	
15	LAMP, INDICATOR RED 120V (CONV.)	3000012005	
16	SWITCH HOLDER (CONV.)	N/A	
17	RACK GUIDE (CONV.)	1410500000	
18	OVEN RACK, JBR-36 (29 3/4" X 22 3/4") CONV. OVEN RACK, JBR-24 (18 5/8" X 19 5/8") CONV.	1410200100	
		1412100000	
19	MOTOR, 1/3 HP BASE, MOTOR MOUNT (W/ HANDLES) BLOWER WHEEL, 8" FAN BAFFLE W/ WING NUTS, JBR-24 FAN BAFFLE W/ WING NUTS, JBR-36	3098710V	
		3025500100	
		3018800000	
		1112100000	
		1131800000	
20	S/S KICK PLATE, JBR-24 S/S KICK PLATE, JBR-36	1132320000	
		1132310000	
21	BRACKET, HANDLE DOOR HANDLE, JBR-24 DOOR HANDLE, JBR-36 MOUNTING BRACKET SCREW (NOT SHOWN)	3010400100	
		1141400000	
		1112000000	
		3463400000	
22	OVEN, DOOR ASSY. JBR-24 OVEN, DOOR ASSY. JBR-36	2500129706	
		2500129708	
23	FLAME SPREADER - JBR	1132500000	
25	OVEN BOTTOM BAFFLE - JBR - LEFT	2574802V	
26	OVEN BOTTOM BAFFLE - JBR - RIGHT	2574801V	
27	DOOR HINGE ASSY LH DOOR HINGE ASSY RH BOLT, 1/4-20 X 1 HXZN NUT, 1/4-20 X 1 HXZN WASHER, 1/4 PL SPLIT LOCK	3043400000	
		3043700000	
		3425600000	
		3426200000	
		3432800000	
28	DOOR SHIM (SET OF FOUR)	8490300000	
29	DOOR SPRING ROCKER ARM (10/98 - PRESENT) EYE BOLT W/ NUT CLEVIS PIN COTTER PIN "S" HOOK SPRING PLIERS	3014400000	
		1017400000	
		3419500000	
		3414100000	
		3429400000	
		3012900000	
		3056200000	NLA
30	CASTER (NON-LOCKING) 6" DIA CASTER (LOCKING) 6" DIA LEGS, 6"	3000011272	
		3000011271	
		3012700000	
31	REGULATOR, GAS NAT. 5.0 W.C. 3/4" REGULATOR, GAS LP. 10.0 W.C. 3/4"	4613500000	
		4613400000	